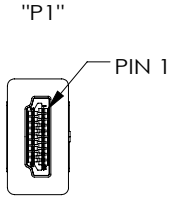


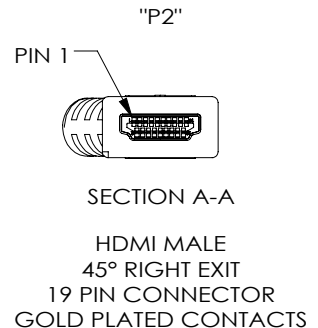
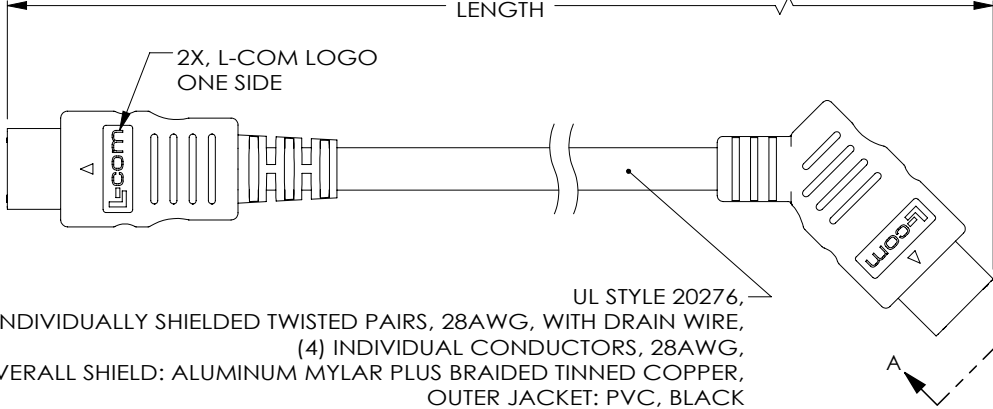
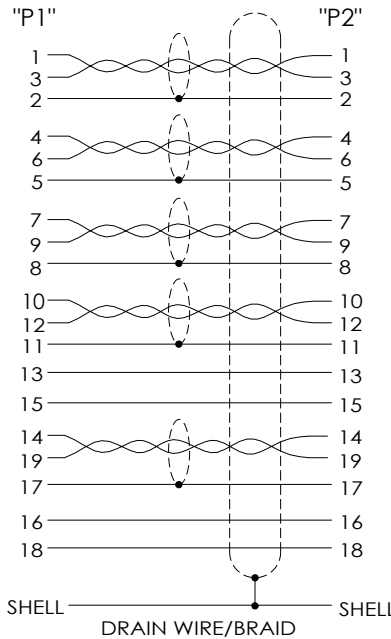
THE INFORMATION CONTAINED IN THIS DRAWING IS THE SOLE PROPERTY OF L-COM, INC. ANY REPRODUCTION IN PART OR WHOLE WITHOUT THE WRITTEN PERMISSION OF L-COM, INC. IS PROHIBITED.

REVISIONS			
REV	DESCRIPTION	DATE	APPROVED
A	INITIAL RELEASE	7/30/13	D.GRIFFIN
B	ECN 9020; REVISED NOTES TO REMOVE HDMI LABEL, NEW DWG FORMAT	12/22/2017	B.ZHANG

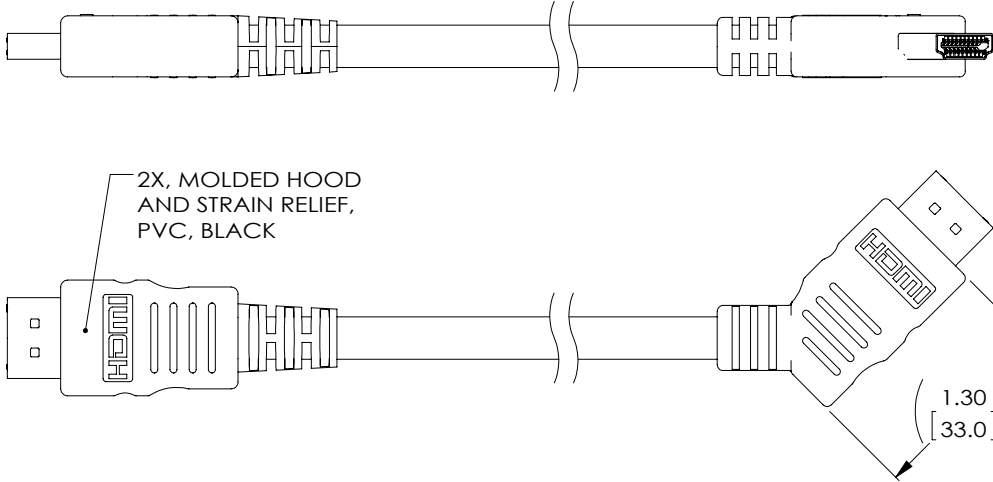


HDMI MALE
19 PIN CONNECTOR
GOLD PLATED CONTACTS

WIRE MAP



"P2"
PIN 1
SECTION A-A
HDMI MALE
45° RIGHT EXIT
19 PIN CONNECTOR
GOLD PLATED CONTACTS



MODEL NO.	LENGTH METERS [FEET]
HDCA454MM-0.5	0.5 [1.64]
HDCA454MM-1	1.0 [3.28]
HDCA454MM-2	2.0 [6.56]
HDCA454MM-3	3.0 [9.84]
HDCA454MM-4	4.0 [13.12]
HDCA454MM-5	5.0 [16.41]

NOTES:

1. CABLE ASSEMBLY SHALL BE TESTED FOR CONTINUITY.
2. CABLE ASSEMBLY SHALL BE INDIVIDUALLY PACKAGED IN ACCORDANCE WITH L-COM SPECIFICATION PS-0031.
3. DUST COVERS INSTALLED FOR SHIPPING (NOT SHOWN).

REGULATORY COMPLIANCE:
CE2011/65/EU (RoHS DIRECTIVE)

UNLESS OTHERWISE SPECIFIED, DIMENSIONS ARE IN INCHES [mm] OVERALL CABLE LENGTH TOLERANCE: ≤ 12 [305] = +1 [25] / -0 > 12 [305] ≤ 60 [1524] = +2 [51] / -0 > 60 [1524] ≤ 120 [3048] = +4 [102] / -0 > 120 [3048] ≤ 300 [7620] = +6 [152] / -0 > 300 [7620] = +3% / -0% ALL OTHER DIMENSIONAL TOLERANCES: .X = ± .2[5.08] .XX = ± .02[.51] .XXX = ± .005[.13]	APPROVALS DRAWN BY D. DESJARDIN CHECKED BY D. FRISIELLO APPROVED BY S. SMITH	DATE 4/15/13 4/15/13 4/15/13	50 HIGH STREET NORTH ANDOVER, MA 01845		
	CONFIGURATION DETAILS OF UNDIMENSIONED FEATURES MAY VARY	CATEGORY AUDIO/VIDEO		PRODUCT DESCRIPTION CA HDMI STR TO 45 DEG RIGHT EXIT	
PROJECTION 	COLOR VARIATIONS MAY OCCUR	SIZE A	FSCM NO. 43321	DWG. NO. HDCA454MM	REV. B
SCALE: NONE		CAD FILE: HDCA454MM.SLDDRW		SHEET 1 OF 1	