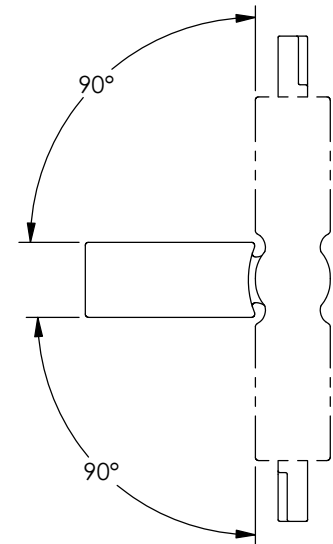
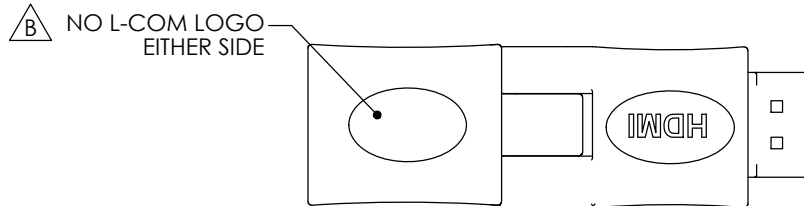
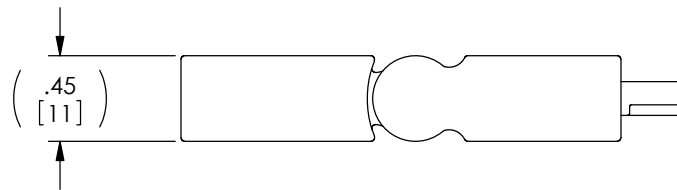
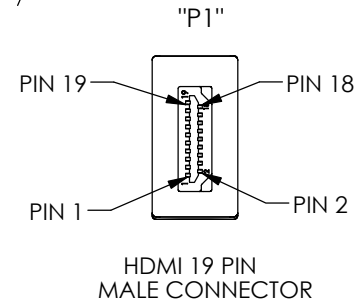
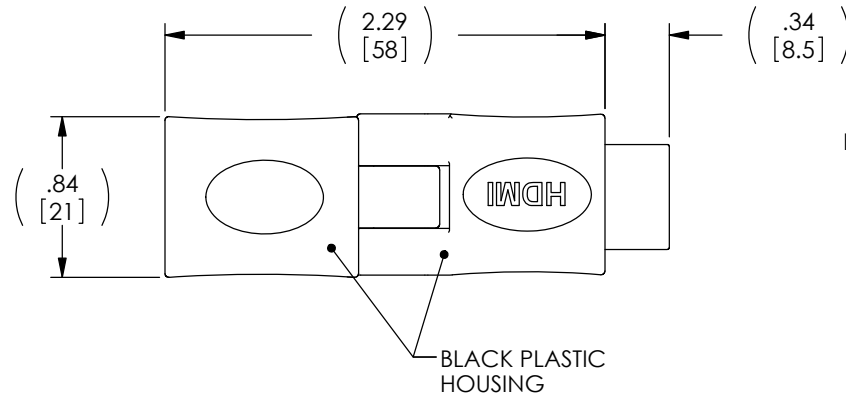
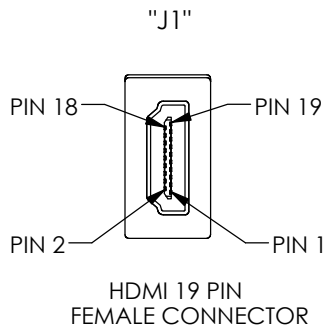


THE INFORMATION CONTAINED IN THIS DRAWING IS THE SOLE PROPERTY OF L-COM, INC. ANY REPRODUCTION IN PART OR WHOLE WITHOUT THE WRITTEN PERMISSION OF L-COM, INC. IS PROHIBITED.

RoHS Compliant ✓

REVISIONS			
REV	DESCRIPTION	DATE	APPROVED
A	INITIAL RELEASE	10/26/12	D.GRIFFIN
B	ECN 6532: REMOVED L-COM LOGO BOTH SIDES	11/19/12	D.FRISIELLO



WIRE MAP	
"J1"	"P1"
1	1
2	2
3	3
4	4
5	5
6	6
7	7
8	8
9	9
10	10
11	11
12	12
13	13
14	14
15	15
16	16
17	17
18	18
19	19
SHELL	SHELL

NOTES:

1. ADAPTER SHIPPED WITH DUST COVERS INSTALLED (NOT SHOWN)
2. ADAPTER SHALL BE TESTED FOR CONTINUITY.
3. ADAPTER SHALL BE PACKAGED PER L-COM PACKAGING SPEC PS-0031.

UNLESS OTHERWISE SPECIFIED, DIMENSIONS ARE IN INCHES [mm] OVERALL CABLE LENGTH TOLERANCE: ≤ 12 [305] = +1 [25] / -0 >12 [305] ≤ 60 [1524] = +2 [51] / -0 >60 [1524] ≤ 120 [3048] = +4 [102] / -0 >120 [3048] ≤ 300 [7620] = +6 [152] / -0 >300 [7620] = +3% / -0% ALL OTHER DIMENSIONAL TOLERANCES: .X = ± .2 .XX = ± .02 .XXX = ± .005	APPROVALS D. DESJARDIN CHECKED BY D. PARHAM APPROVED BY S. SMITH	DATE 10/24/12 10/25/12 10/25/12	45 BEECHWOOD DRIVE NORTH ANDOVER, MA 01845	
	CONFIGURATION DETAILS OF UNDIMENSIONED FEATURES MAY VARY	CATEGORY AUDIO/VIDEO		PRODUCT DESCRIPTION HDMI SWIVEL ADAPTER M-F
PROJECTION 	COLOR VARIATIONS MAY OCCUR	SIZE A	FSCM NO. 43321 DWG. NO. HDFM-SW SCALE: NONE CAD FILE: HDFM-SW.SLDDRW	REV. B SHEET 1 OF 1