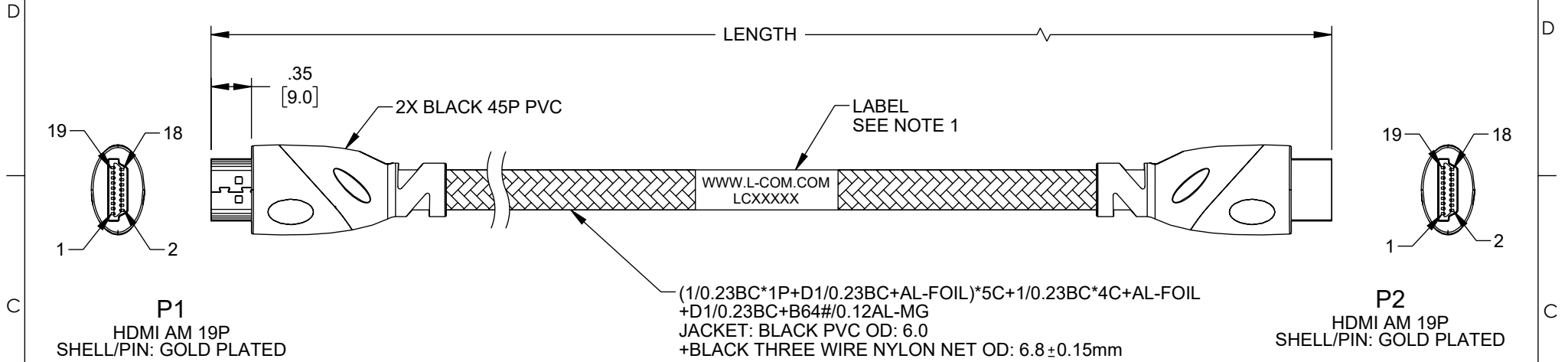


THE INFORMATION CONTAINED IN THIS DRAWING IS THE SOLE PROPERTY OF L-COM, INC. ANY REPRODUCTION IN PART OR WHOLE WITHOUT THE WRITTEN PERMISSION OF L-COM, INC. IS PROHIBITED.

REVISION					
ZONE	REV	DESCRIPTION	DATE	CHANGED BY	APPROVED
	A	INITIAL RELEASE	3/3/2023	DMAY	DGUTTADAURO



**P1**  
HDMI AM 19P  
SHELL/PIN: GOLD PLATED

**P2**  
HDMI AM 19P  
SHELL/PIN: GOLD PLATED

(1/0.23BC\*1P+D1/0.23BC+AL-FOIL)\*5C+1/0.23BC\*4C+AL-FOIL  
+D1/0.23BC+B64#/0.12AL-MG  
JACKET: BLACK PVC OD: 6.0  
+BLACK THREE WIRE NYLON NET OD: 6.8±0.15mm


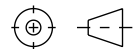
**PIN Assignment**

P1 HDMI AM	P2 HDMI AM
1	1
3	3
5	5
4	4
6	6
2	2
7	7
9	9
11	11
10	10
12	12
8	8
14	14
19	19
17	17
13	13
15	15
16	16
18	18
Shell	Shell

PART NUMBER	LENGTH	
	FEET	METERS
HDMI-MM-05M	1.64	0.5 ± .02
HDMI-MM-1M	3.28	1.0 ± .03
HDMI-MM-2M	6.56	2.0 ± .03
HDMI-MM-3M	9.84	3.0 ± .03

- NOTES:**
- CABLE ASSEMBLY LENGTH LABEL PLACEMENT: 36 INCHES OR LESS, ONE LABEL APPROXIMATELY CENTERED. LONGER THAN 36 INCHES, TWO LABELS APPROXIMATELY 6 INCHES FROM EACH CONNECTOR.
  - CABLE ASSEMBLY SHALL BE TESTED FOR CONTINUITY.
  - CABLE ASSEMBLY SHALL BE INDIVIDUALLY PACKAGED IN ACCORDANCE WITH L-COM SPECIFICATION PS-0031.

REGULATORY COMPLIANCE:  
EU RoHS DIRECTIVE (MOST RECENT RELEASED VERSION)

UNLESS OTHERWISE SPECIFIED, DIMENSIONS ARE IN INCHES [mm] OVERALL CABLE LENGTH TOLERANCE: ≤12 [305] = +1 [25] / -0 >12 [305] ≤60 [1524] = +2 [51] / -0 >60 [1524] ≤120 [3048] = +4 [102] / -0 >120 [3048] ≤300 [7620] = +6 [152] / -0 >300 [7620] = +5% / -0 ALL OTHER DIMENSIONAL TOLERANCES: .X = ± .2 [5]   FRACTIONS ± 1/32 .XX = ± .02 [5]   ANGLES ± 1° .XXX = ± .005 [1.3]	APPROVALS	DATE	 50 High Street, West Mill, North Andover, MA 01845 USA. Phone: 1.800.341.5266 1.978.682.6936
	DRAWN BY DMAY	3/3/2023	
THIRD-ANGLE PROJECTION	CHECKED BY HBAKKE	3/6/2023	PRODUCT DESCRIPTION HDMI 2.0 M/M CABLE, GOLD PLATED CONNECTOR, NYLON BRAID, 4K@ 60Hz, 18G
	APPROVED BY DGUTTADAURO	3/6/2023	CONFIGURATION DETAILS OF UNDIMENSIONED FEATURES MAY VARY COLOR VARIATIONS MAY OCCUR SIZE: A CAGE CODE: 43321 ITEM NO.: HDMI-MM REV.: A
SCALE: NONE		CAD FILE: HDMI-MM.SLDDRW	
			SHEET 1 OF 1