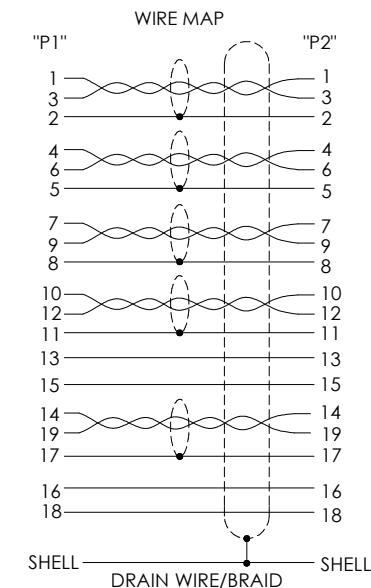
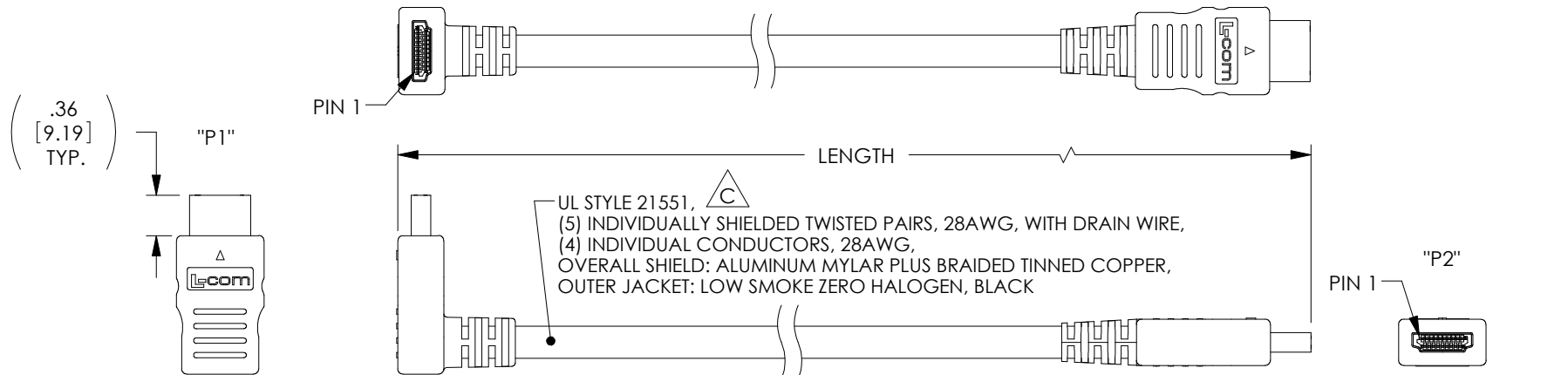


THE INFORMATION CONTAINED IN THIS DRAWING IS THE SOLE PROPERTY OF L-COM, INC. ANY REPRODUCTION IN PART OR WHOLE WITHOUT THE WRITTEN PERMISSION OF L-COM, INC. IS PROHIBITED.


REVISIONS			
REV	DESCRIPTION	DATE	APPROVED
A	INITIAL RELEASE	12/27/11	D.GRIFFIN
B	ECN 9020: REVISED NOTES TO REMOVE HDMI LABEL, NEW DWG FORMAT	12/22/2017	B.ZHANG
C	ECN 10853: REVISE UL STYLE TO 21551, ADD LSZH CBL CHARACTERISTICS TO DWG, NEW FORMAT	12/22/2020	MBLACKWOOD



MODEL NO.	LENGTH METERS [FEET]
HDRAZ4-0.5	0.5 [1.64]
HDRAZ4-1	1.0 [3.28]
HDRAZ4-2	2.0 [6.56]
HDRAZ4-3	3.0 [9.84]
HDRAZ4-4	4.0 [13.12]
HDRAZ4-5	5.0 [16.41]

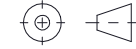

2X, HDMI MALE 19 PIN CONNECTOR GOLD PLATED CONTACTS

2X, MOLDED HOOD AND STRAIN RELIEF, LSZH, BLACK

**LSZH CABLE CHARACTERISTICS:**   
 FLAME RATING: IEC 60332-1  
 CORROSIVE GAS: IEC 60754  
 SMOKE EMISSION: IEC 61034

**NOTES:**

1. CABLE ASSEMBLY SHALL BE TESTED FOR CONTINUITY.
2. CABLE ASSEMBLY SHALL BE INDIVIDUALLY PACKAGED IN ACCORDANCE WITH L-COM SPECIFICATION PS-0031.
3. DUST COVERS INSTALLED FOR SHIPPING (NOT SHOWN).

UNLESS OTHERWISE SPECIFIED, DIMENSIONS ARE IN INCHES [mm] OVERALL CABLE LENGTH TOLERANCE: ≤12 [305] = +1 [25] / -0 >12 [305] ≤60 [1524] = +2 [51] / -0 >60 [1524] ≤120 [3048] = +4 [102] / -0 >120 [3048] ≤300 [7620] = +6 [152] / -0 >300 [7620] = +5% / -0 ALL OTHER DIMENSIONAL TOLERANCES: .X = ± .2 [5]      FRACTIONS .XX = ± .02 [5]    ± 1/32 .XXX = ± .005 [13]    ANGLES ± 1° THIRD-ANGLE PROJECTION 	APPROVALS DRAWN BY: D.FRISIELLO CHECKED BY: R.SCOTT APPROVED BY: P.McNEIL	DATE 11/15/11 11/15/11 11/15/11	 an INFINITI® brand 50 High Street, West Mill, North Andover, MA 01845 USA. Phone: 1.800.341.5266 1.978.682.6936
	CONFIGURATION DETAILS OF UNDIMENSIONED FEATURES MAY VARY COLOR VARIATIONS MAY OCCUR	CATEGORY <b>AUDIO/VIDEO</b>	PRODUCT DESCRIPTION <b>CA, HDMI RA BOTTOM EXIT TO STR LSZH</b>
SIZE <b>A</b> CAGE CODE <b>43321</b> DWG. NO. <b>HDRAZ4</b>	REV. <b>C</b>		