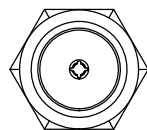
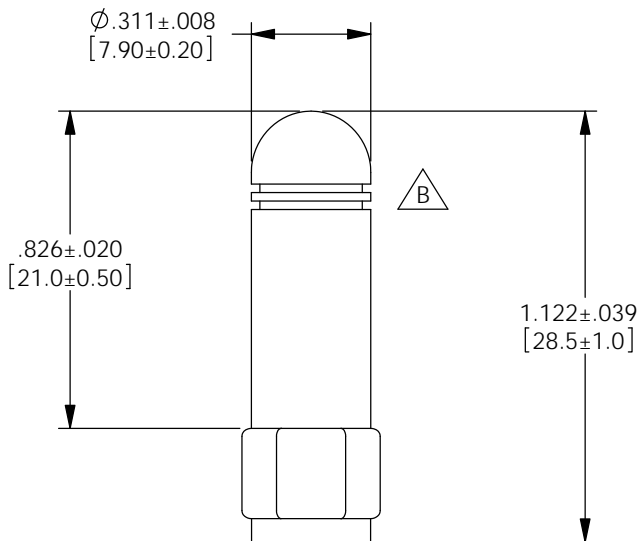


THE INFORMATION CONTAINED IN THIS DRAWING IS THE SOLE PROPERTY OF L-COM, INC. ANY REPRODUCTION IN PART OR WHOLE WITHOUT THE WRITTEN PERMISSION OF L-COM, INC. IS PROHIBITED.

REVISIONS			
REV	DESCRIPTION	DATE	APPROVED
A	INITIAL RELEASE	8/17/10	D.GRIFFIN
B	ECN 6523 REMOVED COLOR STIPS W/NOTES	11/12/12	B.PUCHASKI

DESCRIPTION	MATERIAL	FINISH
CONNECTOR	BRASS	GOLD PLATED
CONTACT	BRASS	GOLD PLATED
ANTENNA COVER	TPU	BLACK



RP SMA PLUG
GOLD PLATED

NOTES:

ELECTRICAL:
 FREQUENCY RANGE: 2.4 GHz (2.4 ~ 2.5GHz)
 ELECTRIC WAVE: 1/4, MONOPOLE ANTENNA.
 V.S.W.R.: <2
 IMPEDANCE: 50 OHM, NOMINAL
 GAIN: <0 dBi

PACKAGING:
 COMPONENT SHALL BE INDIVIDUALLY PACKAGED IN
 ACCORDANCE WITH L-COM SPECIFICATION PKG-00012.
 BAG LABEL PER L-COM SPEC LSP-010.

UNLESS OTHERWISE SPECIFIED, DIMENSIONS ARE IN INCHES [mm] DIMENSIONAL TOLERANCES: .X = ±.1 .XX = ±.01 .XXX = ±.005 ANGULAR TOLERANCES: ALL = ± 1°	APPROVALS	DATE		45 BEECHWOOD DRIVE NORTH ANDOVER, MA 01845	
	DRAWN BY D.FRISIELLO	8/16/10			
	CHECKED BY M.MARTINEZ	8/16/10	CATEGORY ANTENNA		
	APPROVED BY K.BLOMGREN	8/16/10	PRODUCT DESCRIPTION ANTENNA, STUBBY STR RP SMA MALE		
PROJECTION 	COLOR VARIATIONS MAY OCCUR	SIZE A	FSCM NO. 43321	DWG. NO. HG2400RDR-RSP	REV. B
		SCALE: NONE	CAD FILE: HG2400RDR-RSP.SLDDRW		SHEET 1 OF 1