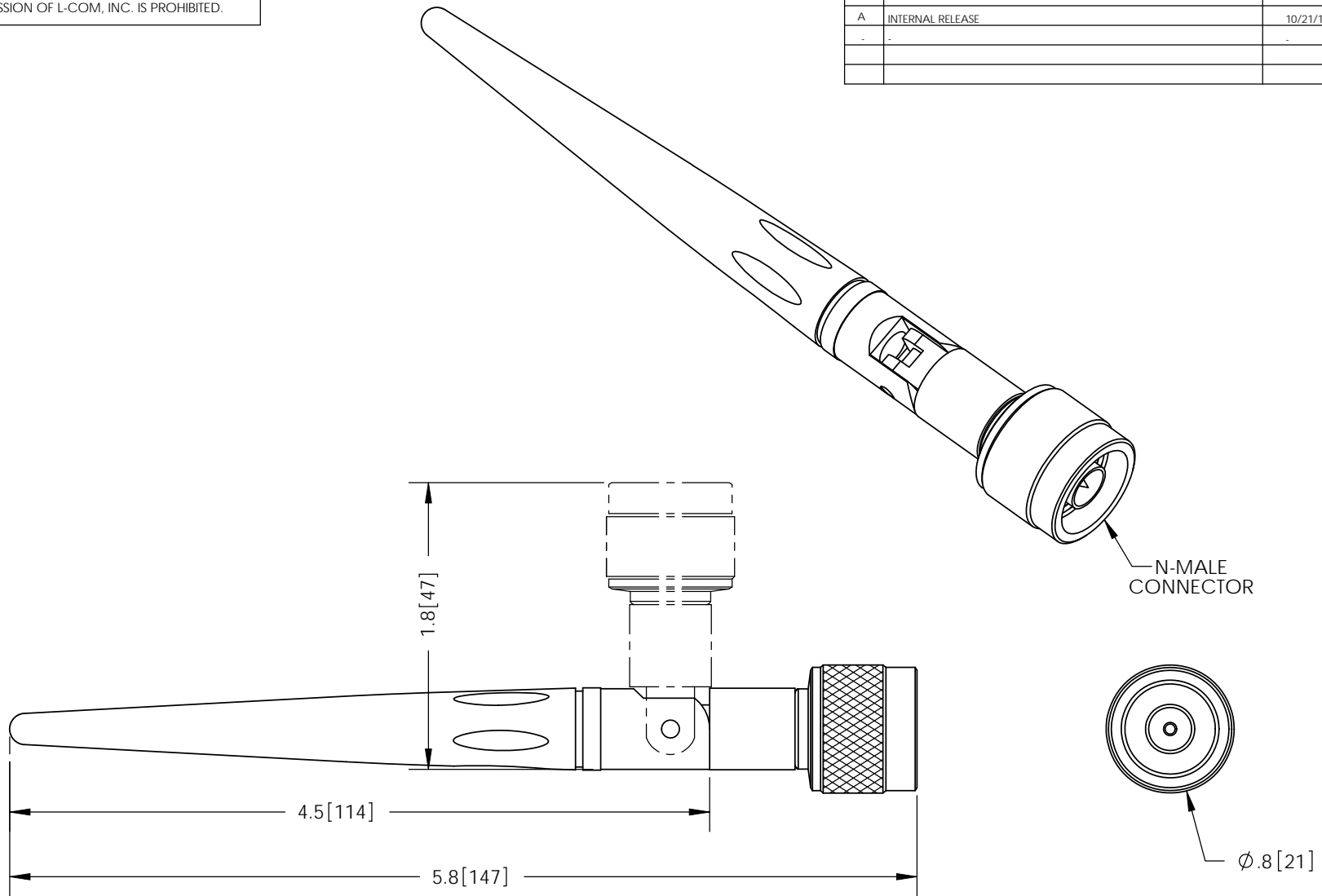


THE INFORMATION CONTAINED IN THIS DRAWING IS THE SOLE PROPERTY OF L-COM, INC. ANY REPRODUCTION IN PART OR WHOLE WITHOUT THE WRITTEN PERMISSION OF L-COM, INC. IS PROHIBITED.

REVISIONS			
REV	DESCRIPTION	DATE	APPROVED
A	INTERNAL RELEASE	10/21/11	B.PUCHASKI
-	-	-	-
-	-	-	-




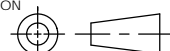
N-MALE CONNECTOR

Ø.8 [21]

RoHS Compliant ✓

NOTES:

PACKAGING:
COMPONENT SHALL BE INDIVIDUALLY PACKAGED IN ACCORDANCE WITH L-COM SPECIFICATION PKG-00031

UNLESS OTHERWISE SPECIFIED, DIMENSIONS ARE IN INCHES [mm]	APPROVALS	DATE	 45 BEECHWOOD DRIVE NORTH ANDOVER, MA 01845
	DRAWN BY B.PUCHASKI	10/21/11	
DIMENSIONAL TOLERANCES: .X = ±.1 .XX = ±.01 .XXX = ±.005	CHECKED BY P.PESA	10/21/11	CATEGORY ANTENNA
	APPROVED BY P.PESA	10/21/11	PRODUCT DESCRIPTION 2.4GHz 3dBi RUBBER DUCK ANTENNA W/N-MALE CONNECTOR
ANGULAR TOLERANCES: ALL = ± 1°	CONFIGURATION DETAILS OF UNDIMENSIONED FEATURES MAY VARY		SIZE A
PROJECTION 	COLOR VARIATIONS MAY OCCUR	FSCM NO. 43321	DWG. NO. HG2403RD-NM
		SCALE: NONE	CAD FILE: HG2403RD-NM.SLDDRW
		SHEET 1 OF 1	