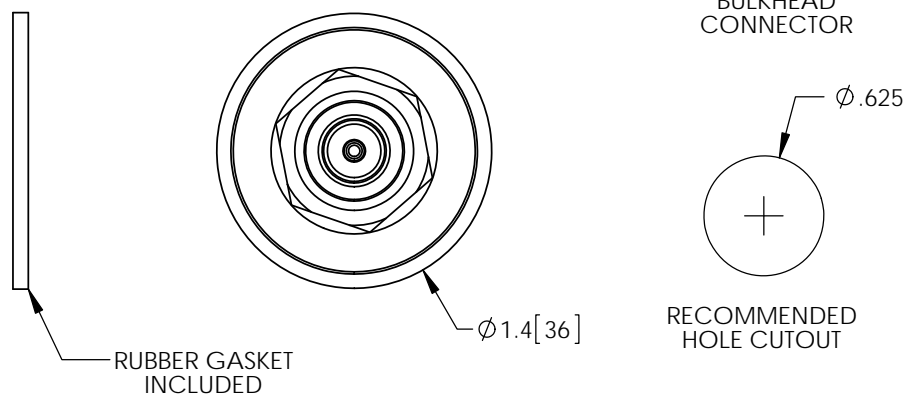
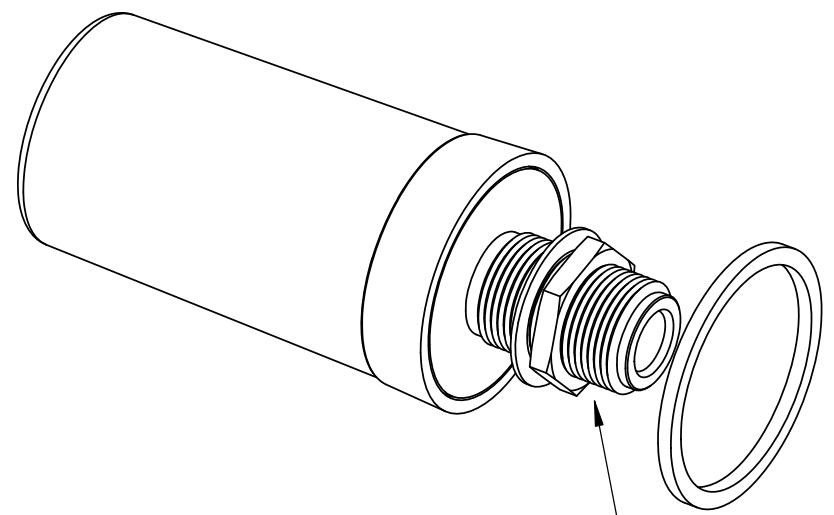
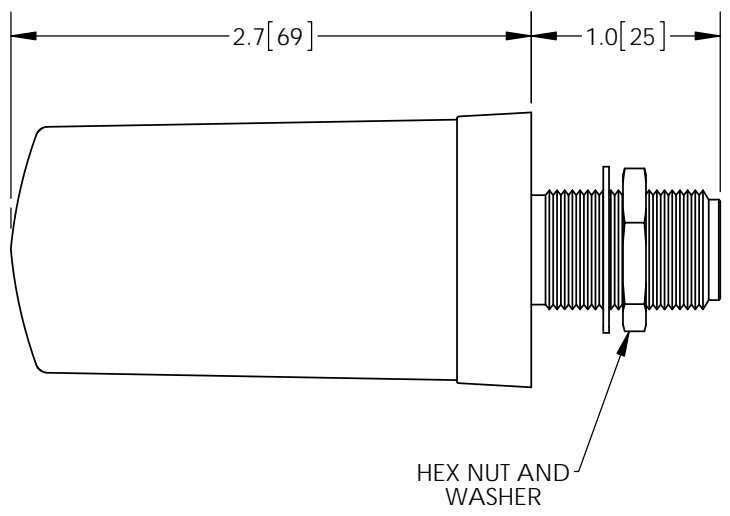


THE INFORMATION CONTAINED IN THIS DRAWING IS THE SOLE PROPERTY OF L-COM, INC. ANY REPRODUCTION IN PART OR WHOLE WITHOUT THE WRITTEN PERMISSION OF L-COM, INC. IS PROHIBITED.

REVISIONS			
REV	DESCRIPTION	DATE	APPROVED
A	INITIAL RELEASE	04/26/16	D.GRIFFIN



**NOTES:**

**PACKAGING:**  
COMPONENT SHALL BE INDIVIDUALLY PACKAGED IN ACCORDANCE WITH L-COM SPECIFICATION PKG-00012

**REGULATORY COMPLIANCE:**  
CE2011/65/EU(RoHS DIRECTIVE)

UNLESS OTHERWISE SPECIFIED, DIMENSIONS ARE IN INCHES [mm]  DIMENSIONAL TOLERANCES: .X = ±.1 [2.54] .XX = ±.01 [.25] .XXX = ±.005 [.13]  ANGULAR TOLERANCES: ALL = ± 1°	APPROVALS	DATE	50 HIGH STREET NORTH ANDOVER, MA 01845		
	DRAWN BY B.PUCHASKI	04/26/16			
	CHECKED BY P.PESA	04/26/16	CATEGORY <b>ANTENNA</b>		
	APPROVED BY P.PESA	04/26/16	PRODUCT DESCRIPTION 2.4GHz 3dbi OMNI ANTENNA - BLACK W/ N-FEMALE BULKHEAD CONNECTOR		
PROJECTION 	COLOR VARIATIONS MAY OCCUR	SIZE <b>A</b>	FSCM NO. <b>43321</b>	DWG. NO. <b>HG2403UR-NFBB</b>	REV. <b>A</b>
		SCALE: NONE	CAD FILE: HG2403UR-NFBB.SLDDRW	SHEET 1 OF 1	