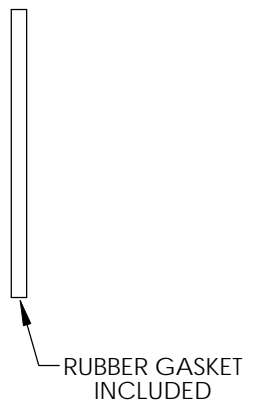
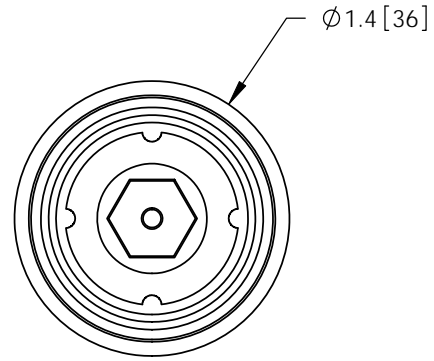
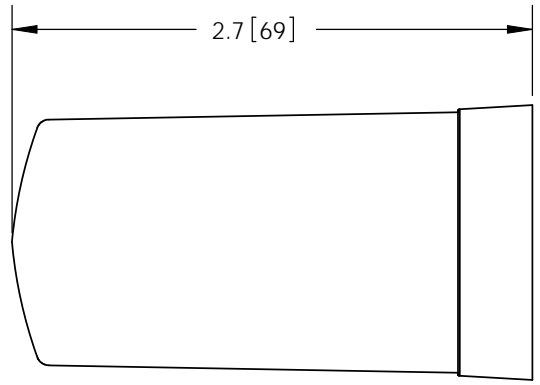
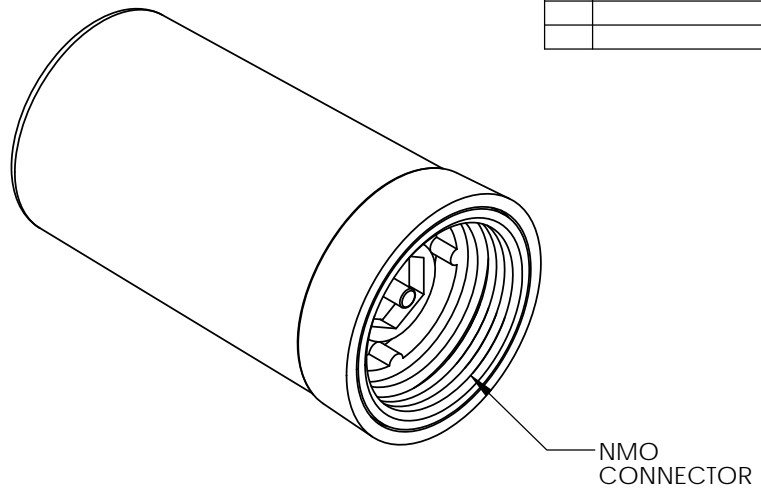


THE INFORMATION CONTAINED IN THIS DRAWING IS THE SOLE PROPERTY OF L-COM, INC. ANY REPRODUCTION IN PART OR WHOLE WITHOUT THE WRITTEN PERMISSION OF L-COM, INC. IS PROHIBITED.

REVISIONS			
REV	DESCRIPTION	DATE	APPROVED
A	INITIAL RELEASE	10/21/11	B.PUCHASKI
-	-	-	-
-	-	-	-



RoHS Compliant ✓

NOTES:

PACKAGING:
COMPONENT SHALL BE INDIVIDUALLY PACKAGED IN ACCORDANCE WITH L-COM SPECIFICATION PKG-00012

UNLESS OTHERWISE SPECIFIED, DIMENSIONS ARE IN INCHES [mm] DIMENSIONAL TOLERANCES: .X = ±.1 .XX = ±.01 .XXX = ±.005 ANGULAR TOLERANCES: ALL = ± 1°	APPROVALS	DATE		45 BEECHWOOD DRIVE NORTH ANDOVER, MA 01845
	DRAWN BY B.PUCHASKI	10/21/11		
	PROJECTION	CHECKED BY P.PESA	10/21/11	CATEGORY ANTENNA
	APPROVED BY P.PESA	10/21/11	PRODUCT DESCRIPTION 2.4GHz 3dbi OMNI ANTENNA - WHITE W/ NMO CONNECTOR	
			SCALE: NONE	CAD FILE: HG2403UR-NMOW.SLDDRW
			SIZE A	FSCM NO. 43321
			DWG. NO. HG2403UR-NMOW	REV. A
			SHEET 1 OF 1	