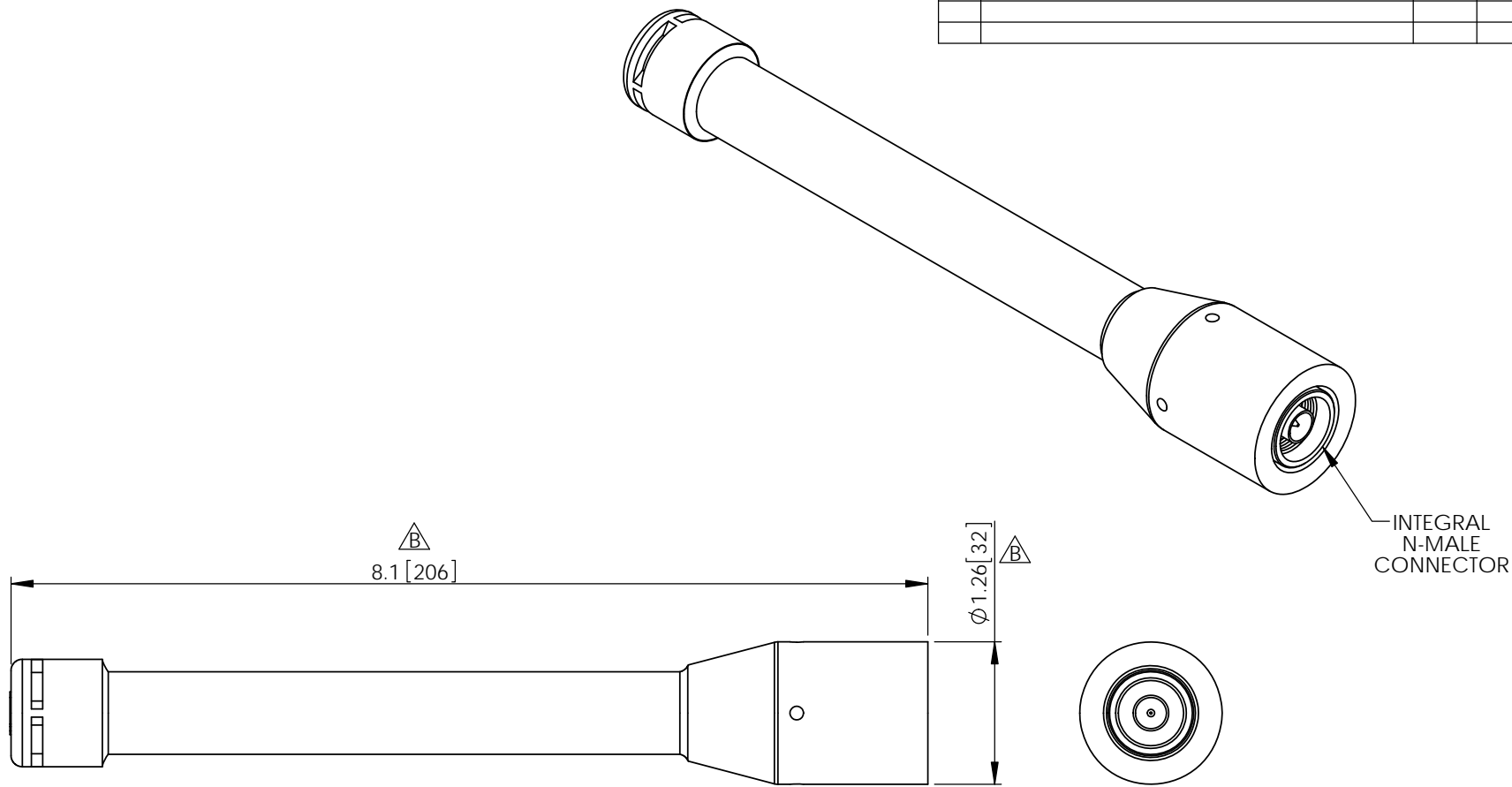


THE INFORMATION CONTAINED IN THIS DRAWING IS THE SOLE PROPERTY OF L-COM, INC. ANY REPRODUCTION IN PART OR WHOLE WITHOUT THE WRITTEN PERMISSION OF L-COM, INC. IS PROHIBITED.

| REVISIONS | | | |
|-----------|----------------------------------|----------|------------|
| REV | DESCRIPTION | DATE | APPROVED |
| A | INITIAL RELEASE | 3/7/12 | D.GRIFFIN |
| B | ECN 8957 UPDATE PER VENDOR SPECS | 10/16/17 | B.PUCHASKI |
| | | | |
| | | | |



NOTES:

PACKAGING:
COMPONENT SHALL BE INDIVIDUALLY PACKAGED IN ACCORDANCE WITH L-COM SPECIFICATION PKG-00012

- ALL DIMENSIONS FOR REFERENCE ONLY -

REGULATORY COMPLIANCE:
CE2011/65/EU(RoHS DIRECTIVE)

| | | | | | | |
|--|-------------------------------|--------------------------|---------------------|----------|--|------|
| UNLESS OTHERWISE SPECIFIED, DIMENSIONS ARE IN INCHES [mm] DIMENSIONAL TOLERANCES: .X = ±.1 [2.54] .XX = ±.01 [.25] .XXX = ±.005 [.13] ANGULAR TOLERANCES: ALL = ± 1° | APPROVALS | DATE | | | 50 HIGH STREET NORTH ANDOVER, MA 01845 | |
| | DRAWN BY B.PUCHASKI | 03/06/12 | | | CATEGORY | |
| | CHECKED BY P.PESA | 03/06/12 | PRODUCT DESCRIPTION | | 2.4GHz 4dBi OMNI ANTENNA W/ INTEGRAL N-MALE CONNECTOR | |
| | APPROVED BY P.PESA | 03/06/12 | SIZE | FSCM NO. | DWG. NO. | REV. |
| PROJECTION | COLOR VARIATIONS MAY OCCUR | A | 43321 | HG2404U | B | |
| SCALE: NONE | | CAD FILE: HG2404U.SLDDRW | | | SHEET 1 OF 1 | |

