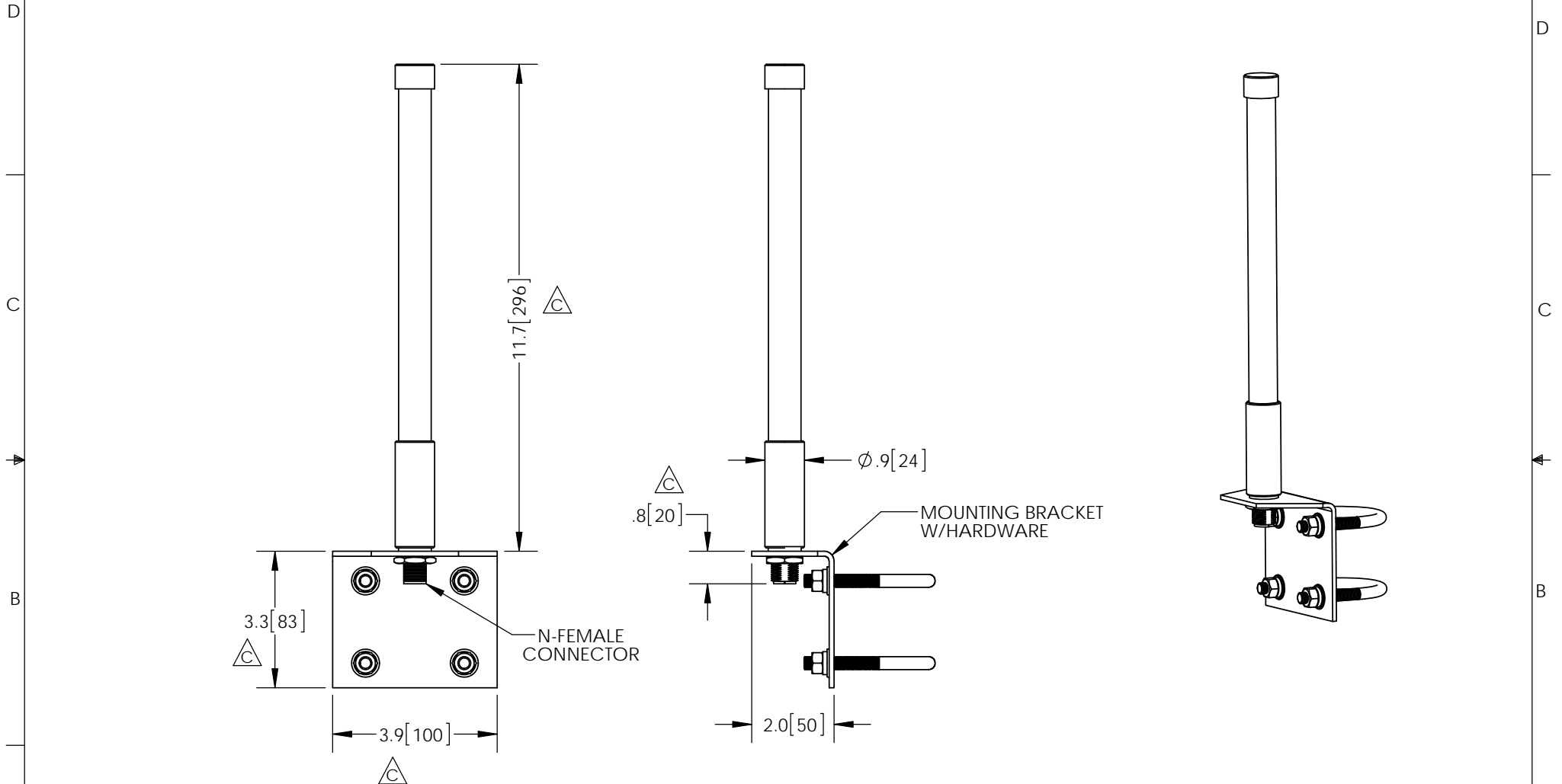


THE INFORMATION CONTAINED IN THIS DRAWING IS THE SOLE PROPERTY OF L-COM, INC. ANY REPRODUCTION IN PART OR WHOLE WITHOUT THE WRITTEN PERMISSION OF L-COM, INC. IS PROHIBITED.

REVISIONS			
REV	DESCRIPTION	DATE	APPROVED
A	INITIAL RELEASE	08/17/10	D.GRIFFIN
B	ECN 7148 ADD MOUNTING BRACKET, UPDATE FORMAT AND RoHS NOTE	11/13/13	B.PUCHASKI
C	ECN 8888 UPDATE PER VENDOR SPEC	08/16/17	B.PUCHASKI


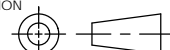


NOTES:

PACKAGING:
 COMPONENT SHALL BE INDIVIDUALLY PACKAGED IN ACCORDANCE WITH L-COM SPECIFICATION PKG-00071

- ALL DIMENSIONS FOR REFERENCE -

REGULATORY COMPLIANCE:
 CE2011/65/EU(RoHS DIRECTIVE)

UNLESS OTHERWISE SPECIFIED, DIMENSIONS ARE IN INCHES [mm] DIMENSIONAL TOLERANCES: .X = ±.1 [2.54] .XX = ±.01 [25] .XXX = ±.005 [13] ANGULAR TOLERANCES: ALL = ± 1°	APPROVALS	DATE	 50 HIGH STREET NORTH ANDOVER, MA 01845	
	DRAWN BY D.CASTRO	08/12/10		
	CHECKED BY P.PESA	08/12/10	PRODUCT DESCRIPTION 2.4 GHz 5.5dBi OMNI ANTENNA MINI PRO W/ N-FEMALE CONNECTOR	
	APPROVED BY P.PESA	08/12/10	SIZE A	FSCM NO. 43321
PROJECTION 	COLOR VARIATIONS MAY OCCUR		SCALE: NONE	CAD FILE: HG2405UP-NF.SLDDRW
			SHEET 1 OF 1	REV. C