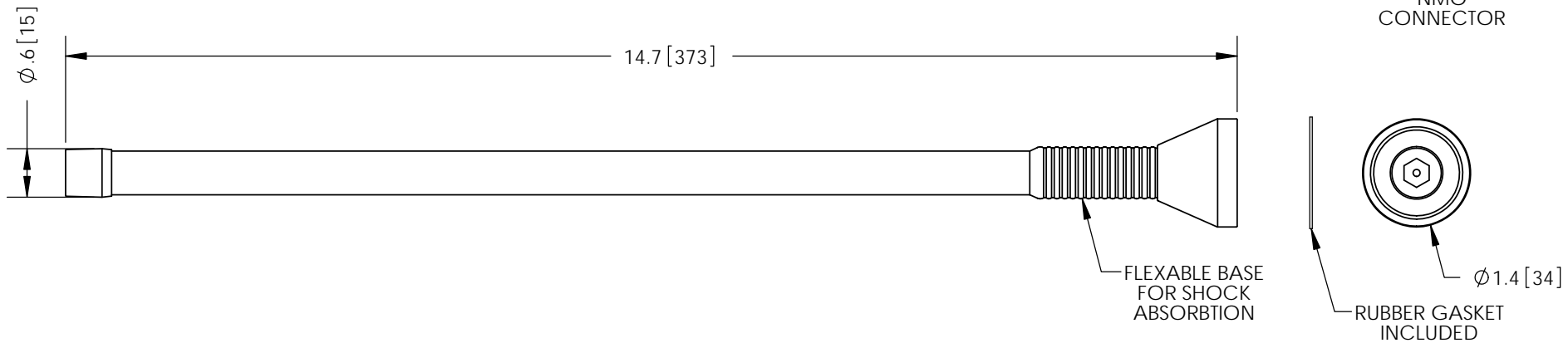
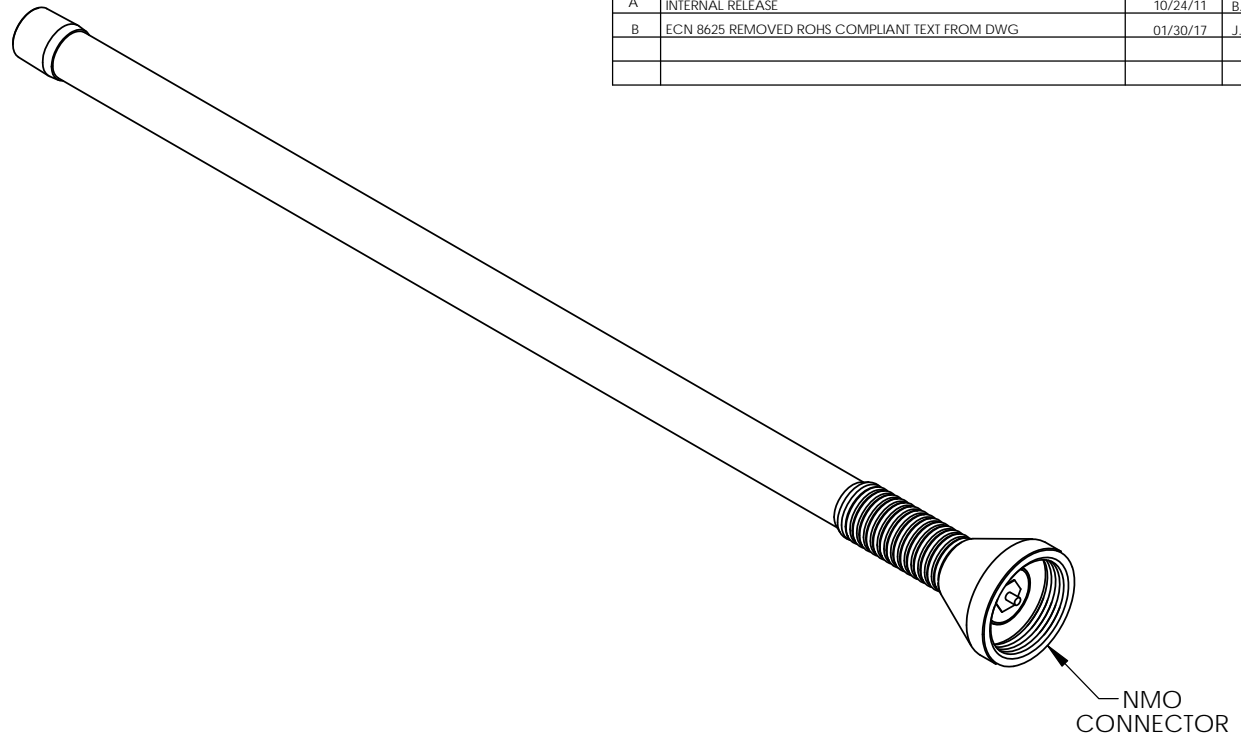


THE INFORMATION CONTAINED IN THIS DRAWING IS THE SOLE PROPERTY OF L-COM, INC. ANY REPRODUCTION IN PART OR WHOLE WITHOUT THE WRITTEN PERMISSION OF L-COM, INC. IS PROHIBITED.

REVISIONS			
REV	DESCRIPTION	DATE	APPROVED
A	INTERNAL RELEASE	10/24/11	B.PUCHASKI
B	ECN 8625 REMOVED ROHS COMPLIANT TEXT FROM DWG	01/30/17	J.LABOY



NOTES:

PACKAGING:  
COMPONENT SHALL BE INDIVIDUALLY PACKAGED IN ACCORDANCE WITH L-COM SPECIFICATION PKG-00012

UNLESS OTHERWISE SPECIFIED, DIMENSIONS ARE IN INCHES [mm]  DIMENSIONAL TOLERANCES: .X = ±.1 .XX = ±.01 .XXX = ±.005  ANGULAR TOLERANCES: ALL = ± 1°	APPROVALS	DATE		45 BEECHWOOD DRIVE NORTH ANDOVER, MA 01845	
	DRAWN BY B.PUCHASKI	10/24/11			
	CHECKED BY P.PESA	10/24/11	CATEGORY ANTENNA		
	APPROVED BY P.PESA	10/24/11	PRODUCT DESCRIPTION 2.4GHz 5dBi RADOME ENCLOSED OMNI ANTENNA W/NMO CONNECTOR		
PROJECTION 	COLOR VARIATIONS MAY OCCUR	SIZE <b>A</b>	FSCM NO. <b>43321</b>	DWG. NO. HG2405UR-NMO	REV. <b>B</b>
		SCALE: NONE	CAD FILE: HG2405UR-NMO.SLDDRW	SHEET 1 OF 1	