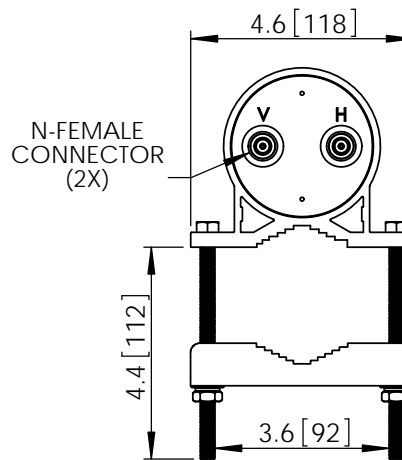
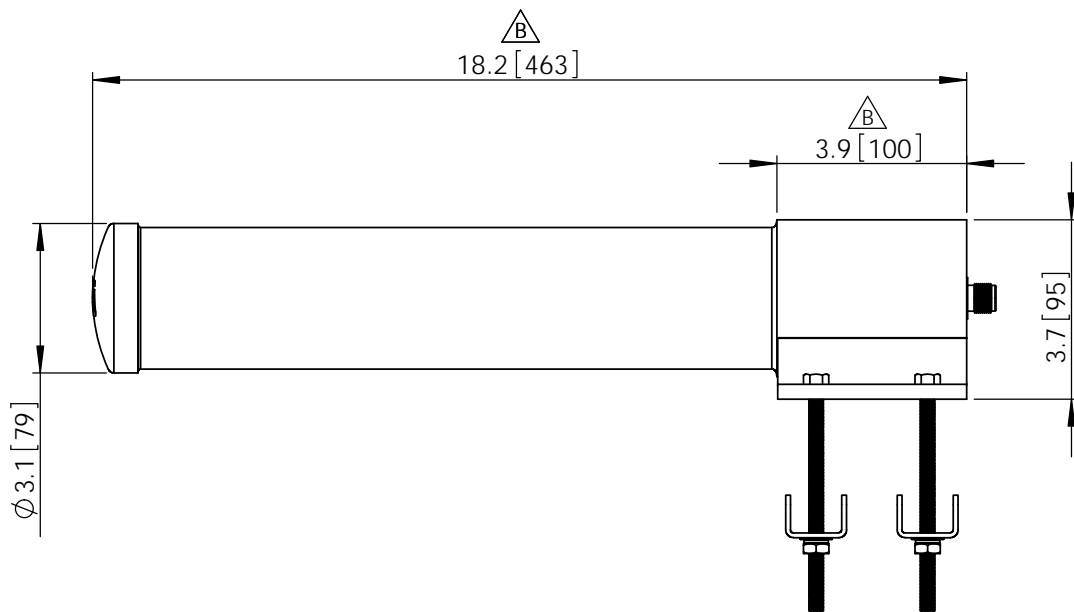
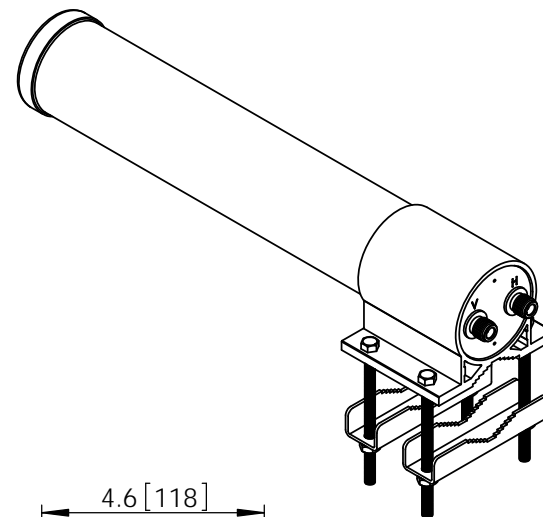
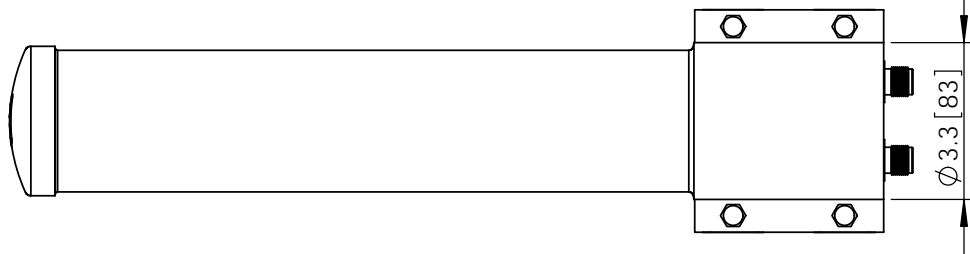


THE INFORMATION CONTAINED IN THIS DRAWING IS THE SOLE PROPERTY OF L-COM, INC. ANY REPRODUCTION IN PART OR WHOLE WITHOUT THE WRITTEN PERMISSION OF L-COM, INC. IS PROHIBITED.

REVISIONS			
REV	DESCRIPTION	DATE	APPROVED
A	INITIAL RELEASE	6/18/13	D.GRIFFIN
B	ECN 8918 UPDATE PER VENDOR	09/14/17	B.PUCHASKI



NOTES:
PACKAGING:
 COMPONENT SHALL BE PACKAGED IN ACCORDANCE WITH L-COM SPEC PKG-00087.

- ALL DIMENSIONS FOR REFERENCE -

REGULATORY COMPLIANCE:
 CE2011/65/EU(RoHS DIRECTIVE)

UNLESS OTHERWISE SPECIFIED, DIMENSIONS ARE IN INCHES [mm] DIMENSIONAL TOLERANCES: .X = ±.1 [2.54] .XX = ±.01 [25] .XXX = ±.005 [13]	APPROVALS B.PUCHASKI	DATE 06/17/13		50 HIGH STREET NORTH ANDOVER, MA 01845	
	CHECKED BY P.PESA	06/17/13		CATEGORY ANTENNA	
	APPROVED BY P.PESA	06/17/13	PRODUCT DESCRIPTION 2.4GHz 6dBi DUAL POLARITY OMNI ANTENNA W/N-FEMALE CONNECTORS		
	ANGLAR TOLERANCES: ALL = ± 1°	CONFIGURATION DETAILS OF UNDIMENSIONED FEATURES MAY VARY		SIZE A	FSCM NO. 43321
PROJECTION 	COLOR VARIATIONS MAY OCCUR		DWG. NO. HG2406DPU	REV. B	
SCALE: NONE			CAD FILE: HG2406DPU.SLDDRW		
				SHEET 1 OF 1	