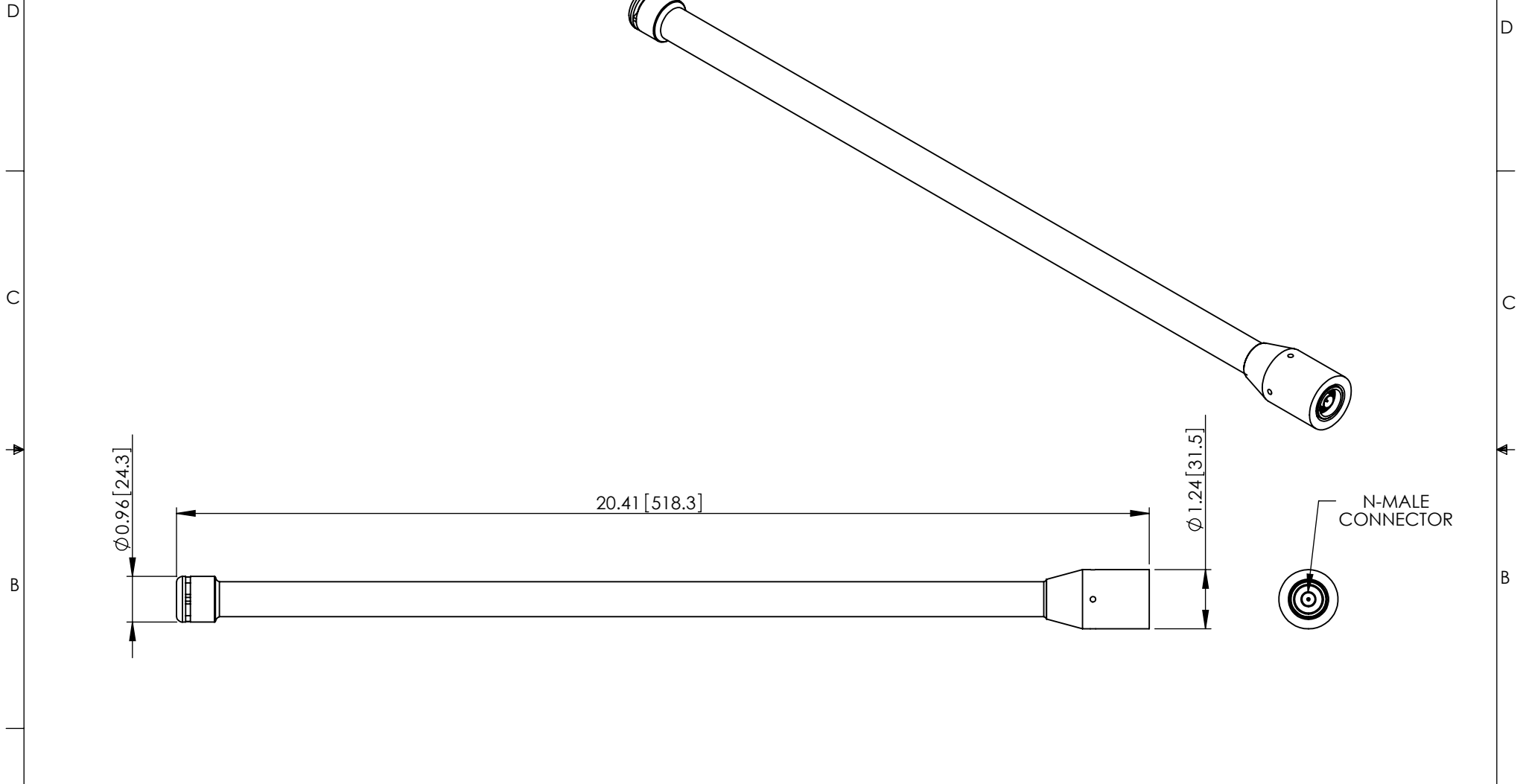


THE INFORMATION CONTAINED IN THIS DRAWING IS THE SOLE PROPERTY OF L-COM, INC. ANY REPRODUCTION IN PART OR WHOLE WITHOUT THE WRITTEN PERMISSION OF L-COM, INC. IS PROHIBITED.

REVISIONS			
REV	DESCRIPTION	DATE	APPROVED
A	Initial Release	05/20/11	B.Puchaski
-	-	-	-



NOTES:
 PACKAGING:
 COMPONENT SHALL BE INDIVIDUALLY PACKAGED IN ACCORDANCE WITH L-COM SPECIFICATION PKG-00012

UNLESS OTHERWISE SPECIFIED, DIMENSIONS ARE IN INCHES [mm] DIMENSIONAL TOLERANCES: .X = ±.1 .XX = ±.01 .XXX = ±.005 ANGULAR TOLERANCES: ALL = ± 1° PROJECTION	APPROVALS DRAWN BY B.Puchaski	DATE 05/20/11	45 BEECHWOOD DRIVE NORTH ANDOVER, MA 01845	
	CHECKED BY P.Pesa	DATE 05/20/11		CATEGORY ANTENNA
	APPROVED BY P.Pesa	DATE 05/20/11	PRODUCT DESCRIPTION 2.4 GHz 8.5dBi Omni Antenna w/ N-Male Connector	
	CONFIGURATION DETAILS OF UNDIMENSIONED FEATURES MAY VARY COLOR VARIATIONS MAY OCCUR	SIZE A	FSCM NO. 43321	DWG. NO. HG2409U
SCALE: NONE		CAD FILE: HG2409U.SLDDRW		SHEET 1 OF 1