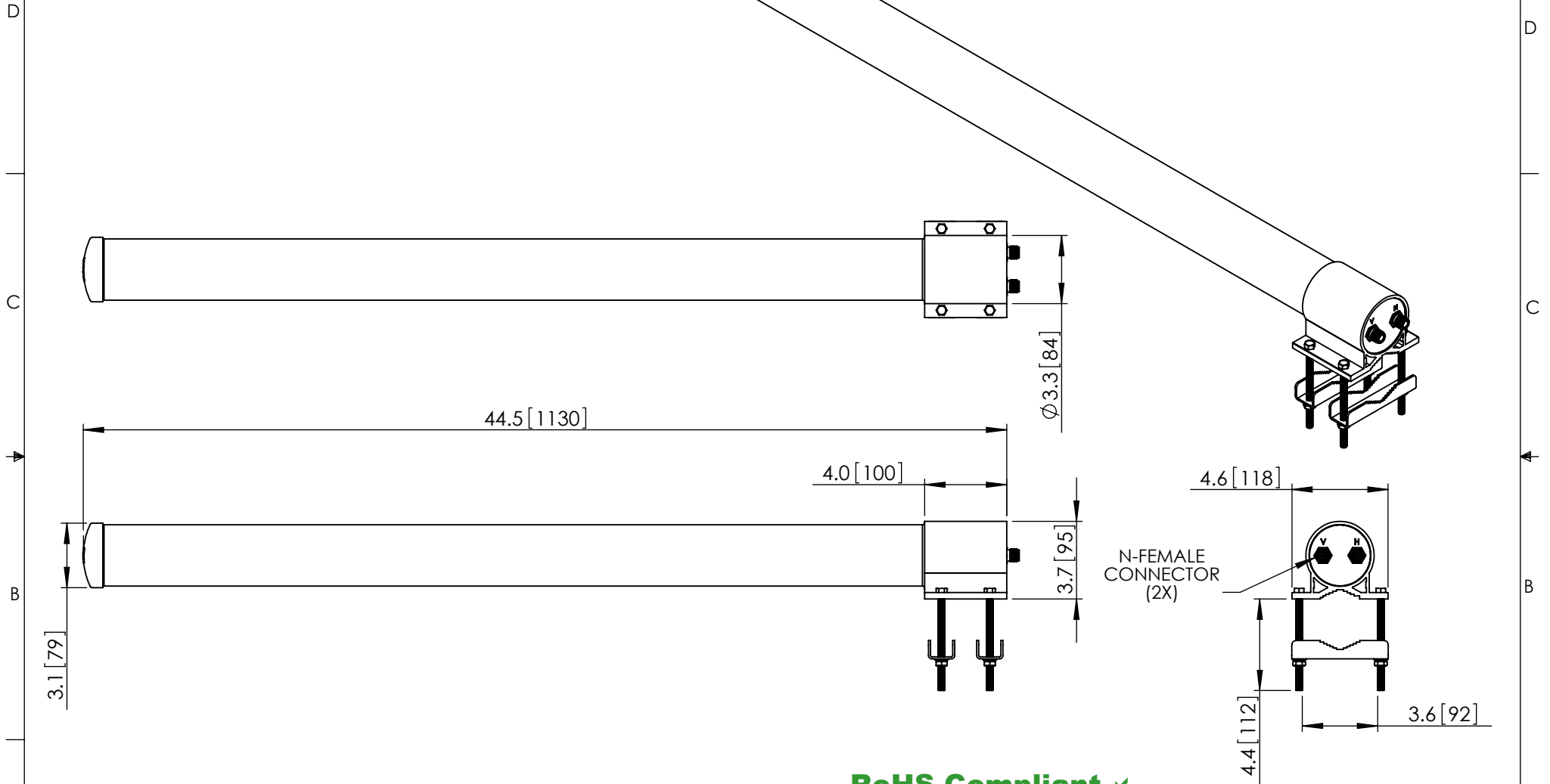


THE INFORMATION CONTAINED IN THIS DRAWING IS THE SOLE PROPERTY OF L-COM, INC. ANY REPRODUCTION IN PART OR WHOLE WITHOUT THE WRITTEN PERMISSION OF L-COM, INC. IS PROHIBITED.

REVISIONS			
REV	DESCRIPTION	DATE	APPROVED
A	INITIAL RELEASE	1/11/12	D.GRIFFIN



RoHS Compliant ✓

NOTES:
 PACKAGING:
 COMPONENT SHALL BE PACKAGED IN ACCORDANCE WITH L-COM SPEC PKG-00087.
 - ALL DIMENSIONS FOR REFERENCE -

UNLESS OTHERWISE SPECIFIED, DIMENSIONS ARE IN INCHES [mm] DIMENSIONAL TOLERANCES: .X = ±.1 .XX = ±.01 .XXX = ±.005 ANGULAR TOLERANCES: ALL = ± 1° PROJECTION	APPROVALS DRAWN BY B.PUCHASKI	DATE 01/10/12		45 BEECHWOOD DRIVE NORTH ANDOVER, MA 01845	
	CHECKED BY P.PESA	01/10/12		CATEGORY ANTENNA	
	APPROVED BY P.PESA	01/10/12	PRODUCT DESCRIPTION 2.4GHz 13dBi DUAL POLARITY OMNI ANTENNA W/N-FEMALE CONNECTORS		
	CONFIGURATION DETAILS OF UNDIMENSIONED FEATURES MAY VARY COLOR VARIATIONS MAY OCCUR	SIZE A	FSCM NO. 43321	DWG. NO. HG2413DPU	REV. A

SCALE: NONE | CAD FILE: HG2413DPU.SLDDRW | SHEET 1 OF 1