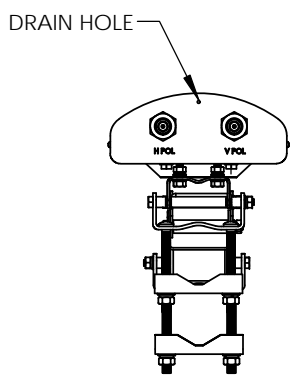
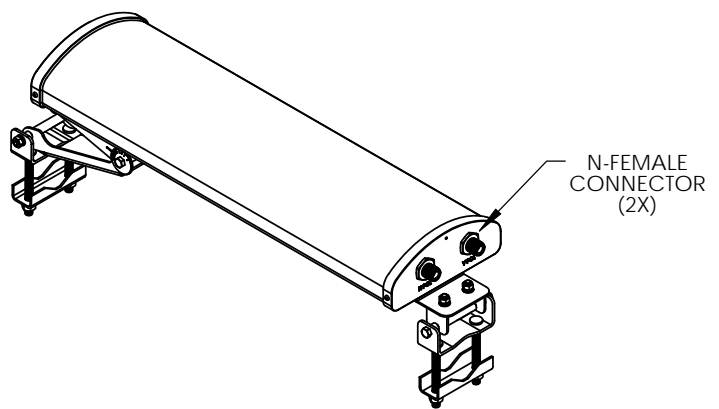
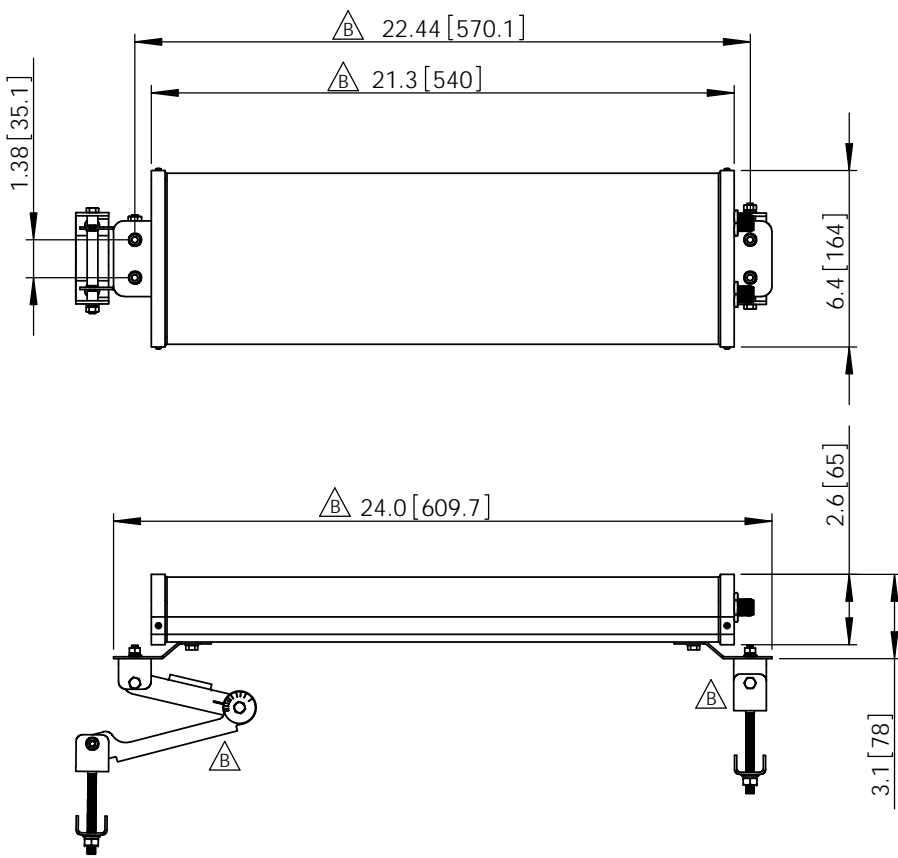


THE INFORMATION CONTAINED IN THIS DRAWING IS THE SOLE PROPERTY OF L-COM, INC. ANY REPRODUCTION IN PART OR WHOLE WITHOUT THE WRITTEN PERMISSION OF L-COM, INC. IS PROHIBITED.

REVISIONS			
REV	DESCRIPTION	DATE	APPROVED
A	INITIAL RELEASE	06/09/11	B.PUCHASKI
B	ECN 7282 LENGTH CHANGED 17.75 TO 21.3. CHANGED BRACKET STYLE	02/04/14	B.PUCHASKI



**NOTES:**

PACKAGING:  
COMPONENT SHALL BE PACKAGED IN ACCORDANCE WITH L-COM SPEC PKG-00057.

- ALL DIMENSIONS FOR REFERENCE ONLY -

**REGULATORY COMPLIANCE:**  
CE2011/65/EU(RoHS DIRECTIVE)

UNLESS OTHERWISE SPECIFIED, DIMENSIONS ARE IN INCHES [mm]	APPROVALS	DATE		45 BEECHWOOD DRIVE NORTH ANDOVER, MA 01845	
	DRAWN BY B.PUCHASKI	06/09/11			
DIMENSIONAL TOLERANCES: .X = ±.1 [2.54] .XX = ±.01 [.25] .XXX = ±.005 [.13]	CHECKED BY P.PESA	06/09/11	CATEGORY ANTENNA		
	APPROVED BY P.PESA	06/09/11	PRODUCT DESCRIPTION 2.4 GHz 14dB <sub>i</sub> 90° DUAL POLARIZED/DUAL FEED SECTOR PANEL ANTENNA W/ N-FEMALE CONNECTORS		
ANGULAR TOLERANCES: ALL = ± 1°	CONFIGURATION DETAILS OF UNDIMENSIONED FEATURES MAY VARY	SIZE <b>A</b>	FSCM NO. <b>43321</b>	DWG. NO. <b>HG2414DP-090</b>	REV. <b>B</b>
PROJECTION 	COLOR VARIATIONS MAY OCCUR	SCALE: NONE	CAD FILE: HG2414DP-090.SLDDRW	SHEET 1 OF 1	