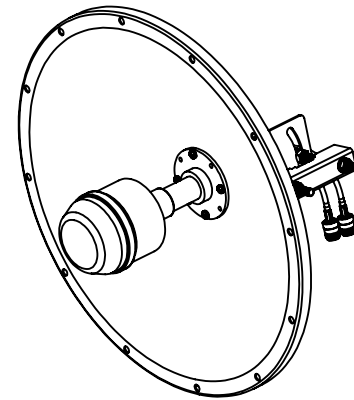
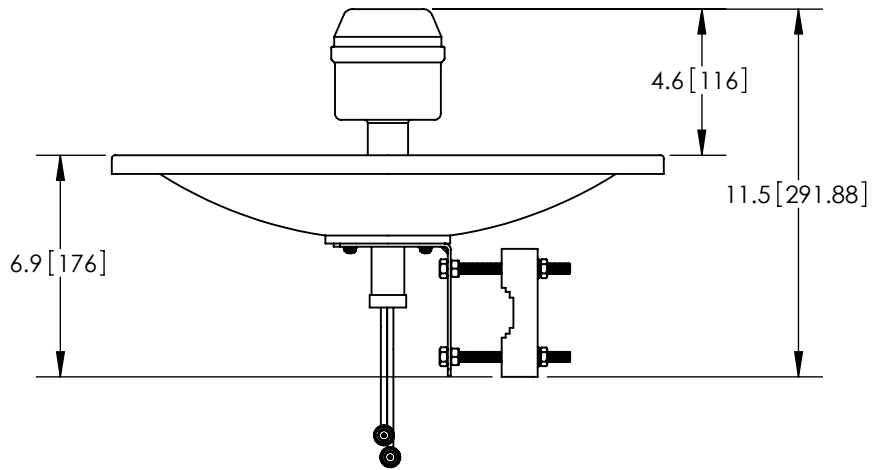
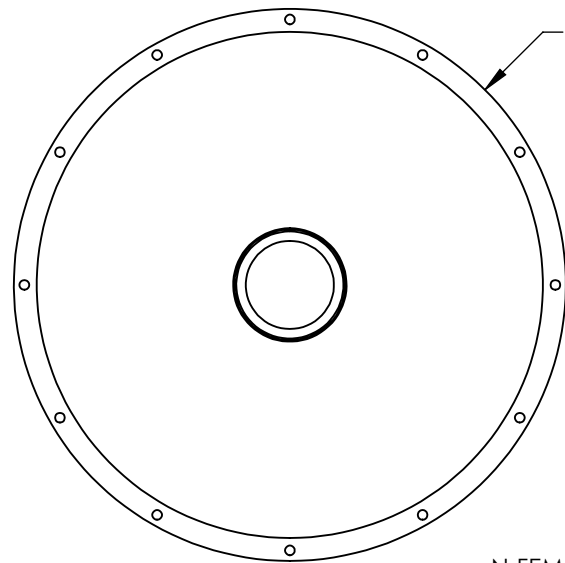


THE INFORMATION CONTAINED IN THIS DRAWING IS THE SOLE PROPERTY OF L-COM, INC. ANY REPRODUCTION IN PART OR WHOLE WITHOUT THE WRITTEN PERMISSION OF L-COM, INC. IS PROHIBITED.

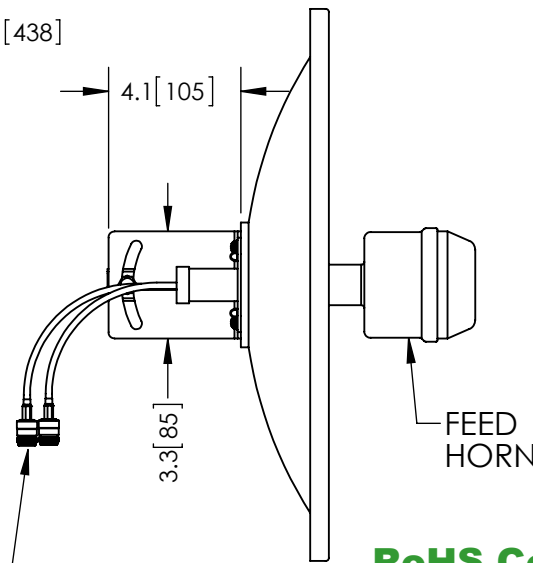
REVISIONS			
REV	DESCRIPTION	DATE	APPROVED
A	INITIAL RELEASE	1/16/13	D.GRIFFIN



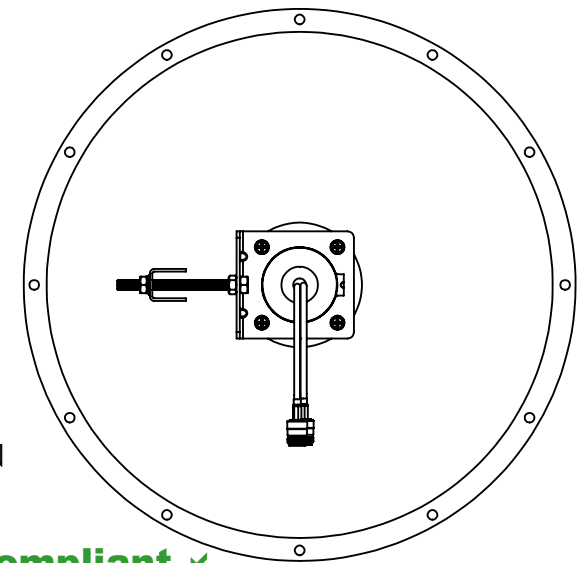
BACK VIEW



Ø 17.3 [438]



FEED HORN



N-FEMALE CONNECTOR (2x)

RoHS Compliant ✓

NOTES:
 PACKAGING:
 COMPONENT SHALL BE PACKAGED IN ACCORDANCE WITH L-COM SPEC PKG-00090
 - ALL DIMENSIONS FOR REFERENCE ONLY -

UNLESS OTHERWISE SPECIFIED, DIMENSIONS ARE IN INCHES [mm] DIMENSIONAL TOLERANCES: .X = ±.1 .XX = ±.01 .XXX = ±.005 ANGULAR TOLERANCES: ALL = ± 1°	APPROVALS	DATE		45 BEECHWOOD DRIVE NORTH ANDOVER, MA 01845	
	DRAWN BY B.PUCHASKI	01/15/13			
	CHECKED BY K.BURGNER	01/15/13	CATEGORY	ANTENNA	
	APPROVED BY P.PESA	01/15/13	PRODUCT DESCRIPTION	2.4GHz 18dBi DUAL POLARITY DISH ANTENNA W/ (2) N-FEMALE CONNECTORS	
PROJECTION 	COLOR VARIATIONS MAY OCCUR	SIZE A	FSCM NO. 43321	DWG. NO. HG2418DPD	REV. A
		SCALE: NONE	CAD FILE: HG2418DPD.SLDDRW		SHEET 1 OF 1