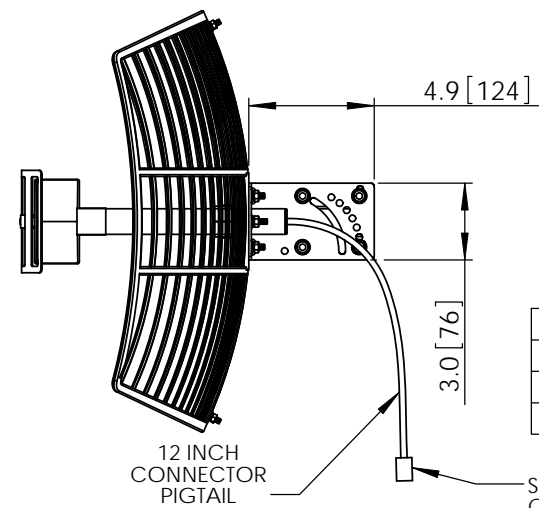
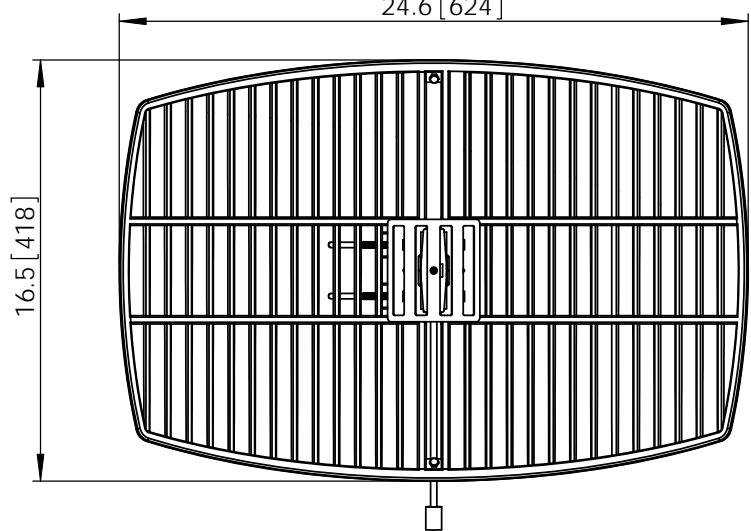
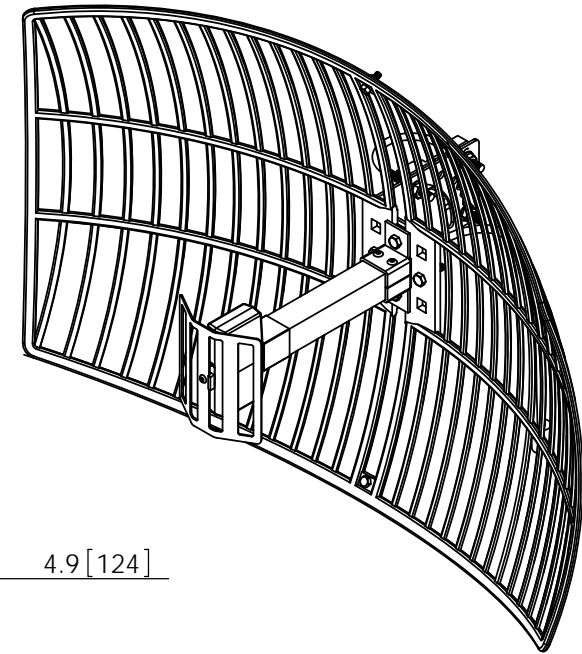
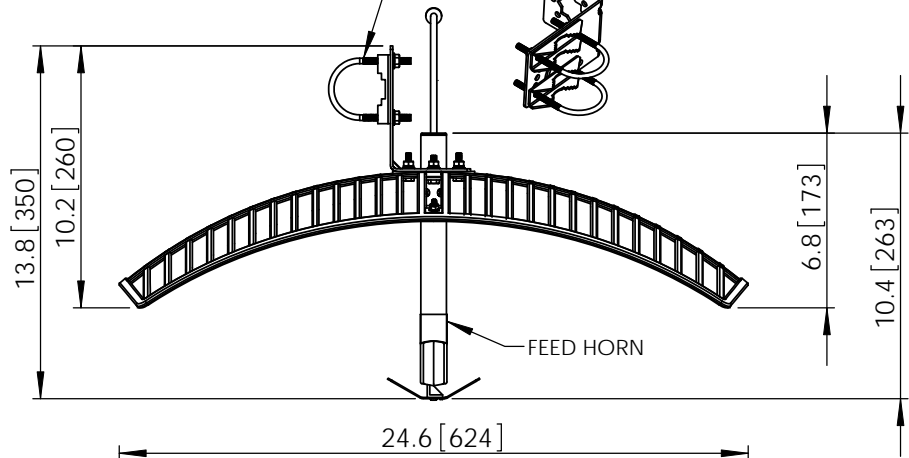


THE INFORMATION CONTAINED IN THIS DRAWING IS THE SOLE PROPERTY OF L-COM, INC. ANY REPRODUCTION IN PART OR WHOLE WITHOUT THE WRITTEN PERMISSION OF L-COM, INC. IS PROHIBITED.

REVISIONS			
REV	DESCRIPTION	DATE	APPROVED
A	Initial Release	06/28/11	B.Puchaski

U-BOLT WITH TILT BRACKET FOR 2 INCH POLE MOUNTING



MODEL# HG2420EG-	
SUFFIX	CONNECTOR TYPE
NF	N-FEMALE
NM	N-MALE

SEE CHART FOR CONNECTOR TYPE

NOTES:
PACKAGING:
COMPONENT SHALL BE PACKAGED IN ACCORDANCE WITH L-COM SPEC PKG-0001

-ALL DIMENSIONS ARE FOR REFERENCE-

RoHS Compliant

UNLESS OTHERWISE SPECIFIED, DIMENSIONS ARE IN INCHES [mm] DIMENSIONAL TOLERANCES: .X = ±.1 .XX = ±.01 .XXX = ±.005 ANGULAR TOLERANCES: ALL = ± 1° PROJECTION	APPROVALS DRAWN BY B.Puchaski CHECKED BY T. Vaden APPROVED BY P.Pesa	DATE 06/28/11 06/28/11 06/28/11	45 BEECHWOOD DRIVE NORTH ANDOVER, MA 01845
	CATEGORY ANTENNA		
	CONFIGURATION DETAILS OF UNDIMENSIONED FEATURES MAY VARY		SIZE A FSCM NO. 43321 DWG. NO. HG2420EG REV. A
	COLOR VARIATIONS MAY OCCUR		SCALE: NONE CAD FILE: HG2420EG.SLDDRW