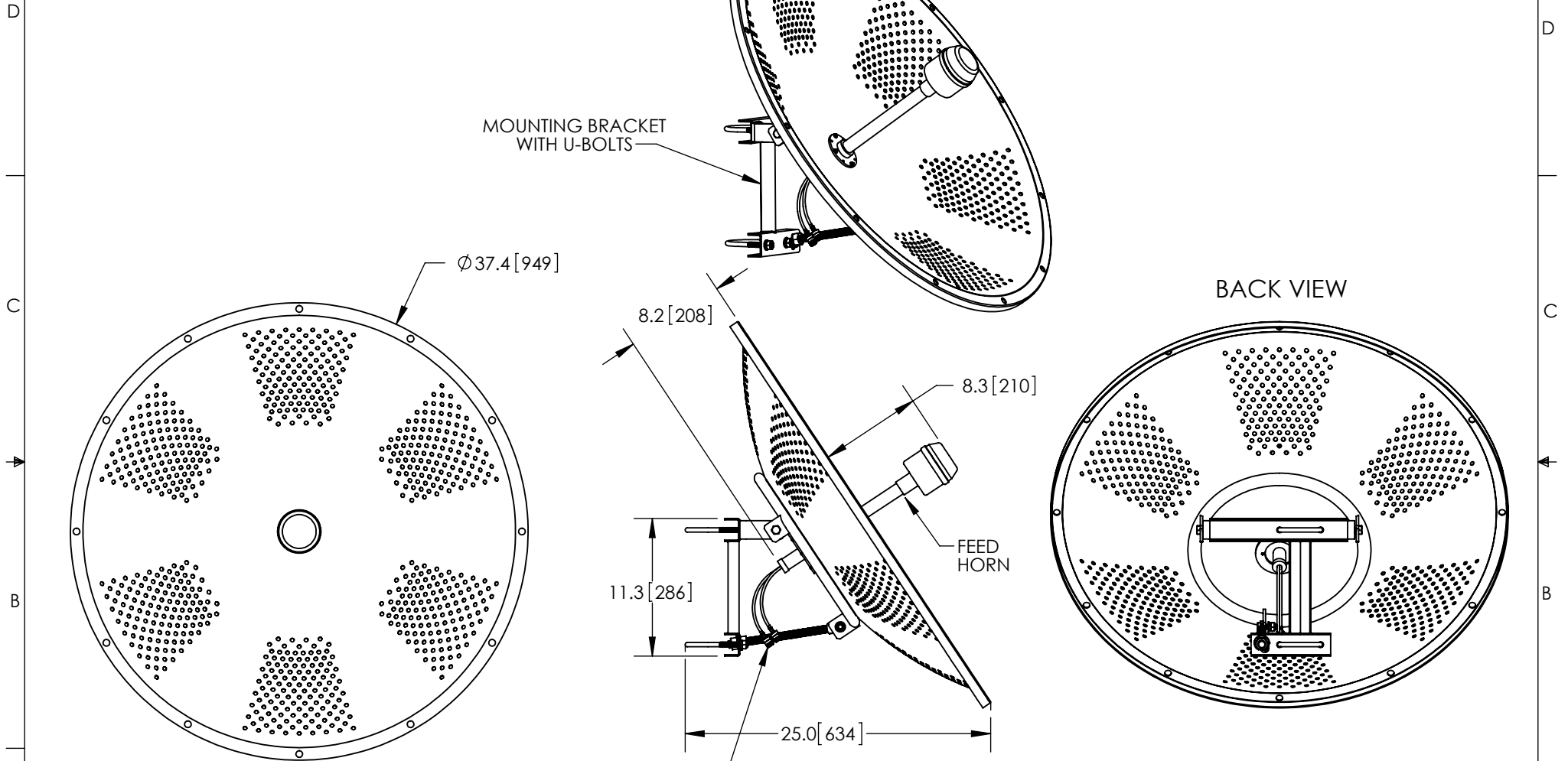


THE INFORMATION CONTAINED IN THIS DRAWING IS THE SOLE PROPERTY OF L-COM, INC. ANY REPRODUCTION IN PART OR WHOLE WITHOUT THE WRITTEN PERMISSION OF L-COM, INC. IS PROHIBITED.

REVISIONS			
REV	DESCRIPTION	DATE	APPROVED
A	INITIAL RELEASE	01/16/13	D.GRIFFIN



RoHS Compliant ✓

NOTES:
 PACKAGING:
 COMPONENT SHALL BE PACKAGED IN ACCORDANCE
 WITH L-COM SPEC PKG-00083
 - ALL DIMENSIONS FOR REFERENCE ONLY -

UNLESS OTHERWISE SPECIFIED, DIMENSIONS ARE IN INCHES [mm]	APPROVALS	DATE		45 BEECHWOOD DRIVE NORTH ANDOVER, MA 01845
	DRAWN BY B.PUCHASKI	01/16/13		
DIMENSIONAL TOLERANCES: .X = ±.1 .XX = ±.01 .XXX = ±.005	CHECKED BY K.BURGNER	01/16/13	CATEGORY ANTENNA	
	APPROVED BY P.PESA	01/16/13	PRODUCT DESCRIPTION 2.4GHz 25dbi DUAL POLARIZED PARABOLIC DISH ANTENNA W/ (2) N-FEMALE CONNECTORS	
ANGULAR TOLERANCES: ALL = ± 1°	CONFIGURATION DETAILS OF UNDIMENSIONED FEATURES MAY VARY		SIZE A	FSCM NO. 43321
PROJECTION 	COLOR VARIATIONS MAY OCCUR		DWG. NO. HG2425DPD	REV. A
SCALE: NONE			CAD FILE: HG2425DPD.SLDDRW	
				SHEET 1 OF 1