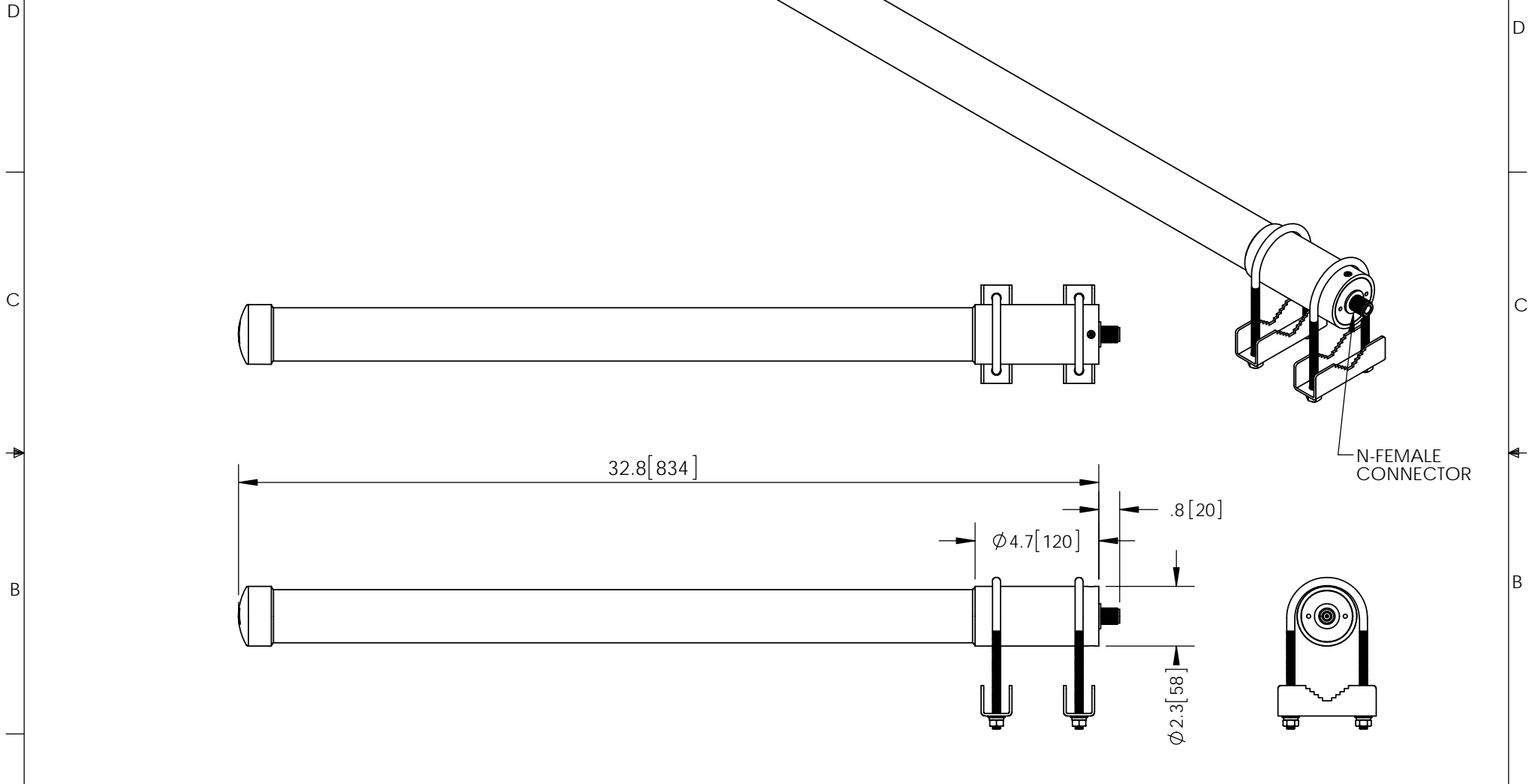


THE INFORMATION CONTAINED IN THIS DRAWING IS THE SOLE PROPERTY OF L-COM, INC. ANY REPRODUCTION IN PART OR WHOLE WITHOUT THE WRITTEN PERMISSION OF L-COM, INC. IS PROHIBITED.

REVISIONS			
REV	DESCRIPTION	DATE	APPROVED
A	INITIAL RELEASE	11/20/12	D.GRIFFIN
B	ECN 9013 UPDATE PER VENDOR SPECS	12/19/17	B.PUCHASKI



NOTES:
 PACKAGING:
 COMPONENT SHALL BE PACKAGED IN ACCORDANCE WITH L-COM SPEC PKG-00080.

- ALL DIMENSIONS FOR REFERENCE -

REGULATORY COMPLIANCE:
 CE2011/65/EU(RoHS DIRECTIVE)

UNLESS OTHERWISE SPECIFIED, DIMENSIONS ARE IN INCHES [mm] DIMENSIONAL TOLERANCES: .X = ±.1 [2.54] .XX = ±.01 [.25] .XXX = ±.005 [.13] ANGULAR TOLERANCES: ALL = ± 1° PROJECTION	APPROVALS B.PUCHASKI	DATE 11/20/12		50 HIGH STREET NORTH ANDOVER, MA 01845	
	CHECKED BY P.PESA	11/20/12		CATEGORY ANTENNA	
	APPROVED BY P.PESA	11/20/12	PRODUCT DESCRIPTION 2.4/5.8GHz 6dBi DUAL BAND OMNI ANTENNA W/ N-FEMALE CON		
	CONFIGURATION DETAILS OF UNDIMENSIONED FEATURES MAY VARY	COLOR VARIATIONS MAY OCCUR	SIZE A	FSCM NO. 43321	DWG. NO. HG2458-06U-PRO
SCALE: NONE		CAD FILE: HG2458-06U-PRO.SLDDRW		SHEET 1 OF 1	