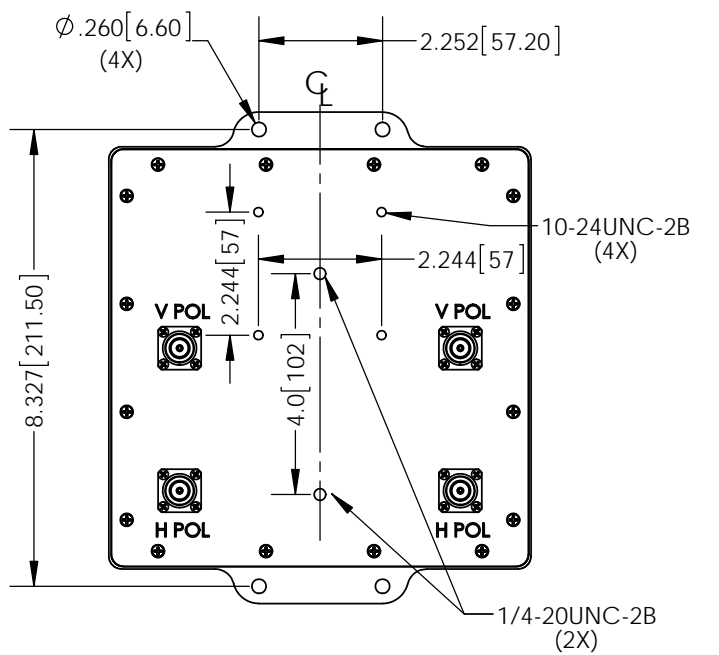
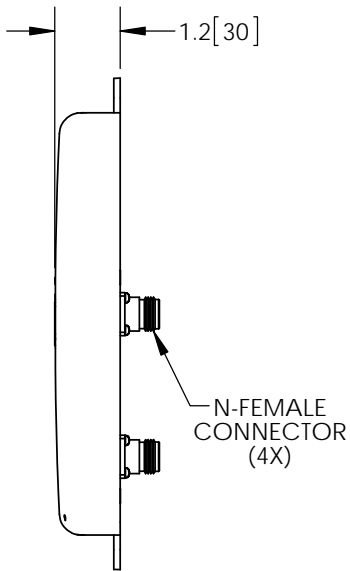
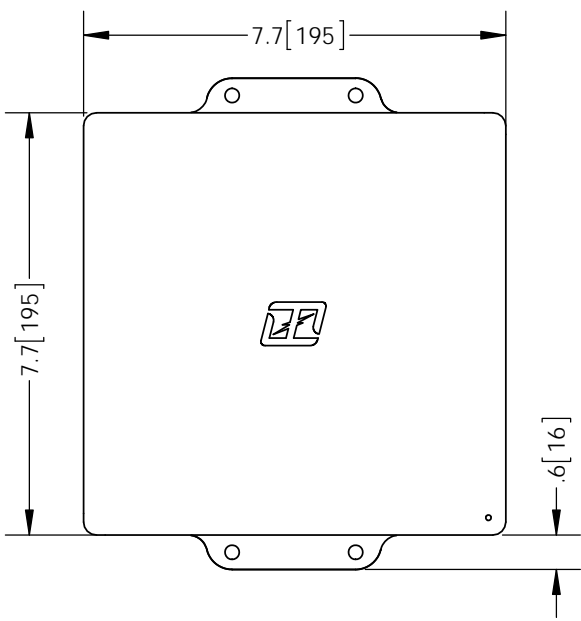
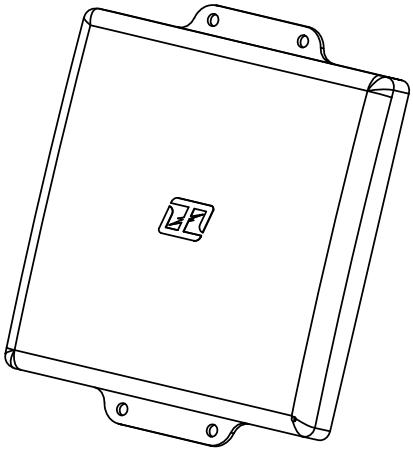


THE INFORMATION CONTAINED IN THIS DRAWING IS THE SOLE PROPERTY OF L-COM, INC. ANY REPRODUCTION IN PART OR WHOLE WITHOUT THE WRITTEN PERMISSION OF L-COM, INC. IS PROHIBITED.

REVISIONS			
REV	DESCRIPTION	DATE	APPROVED
1	PRELIMINARY	04/06/16	



**NOTE:**  
 1- EACH UNIT TO BE INDIVIDUALLY PACKAGED IN ACCORDANCE WITH L-COM SPEC PKG-00012  
 -ALL DIMENSIONS ARE FOR REFERENCE ONLY-

**REGULATORY COMPLIANCE:**  
 CE2011/65/EU(RoHS DIRECTIVE)

UNLESS OTHERWISE SPECIFIED, DIMENSIONS ARE IN INCHES [mm]  DIMENSIONAL TOLERANCES: .X = ±.1 [2.54] .XX = ±.01 [.25] .XXX = ±.005 [.13]  ANGULAR TOLERANCES: ALL = ± 1°	APPROVALS	DATE		45 BEECHWOOD DRIVE NORTH ANDOVER, MA 01845
	DRAWN BY B.PUCHASKI	04/06/16		
PROJECTION 	CHECKED BY P.PESA	04/06/16	CATEGORY <b>ANTENNA</b>	
	APPROVED BY P.PESA	04/06/16	PRODUCT DESCRIPTION 2.4/5.8GHz 8dBi DUAL POLARITY FLAT PANEL ANTENNA W/ (4) N-FEMALE CONNECTORS	
COLOR VARIATIONS MAY OCCUR	SIZE <b>A</b>	FSCM NO. <b>43321</b>	DWG. NO. <b>HG2458-08DP-4NF</b>	REV. <b>A</b>
SCALE: NONE		CAD FILE: HG2458-08DP-4NF.SLDDRW		SHEET 1 OF 1