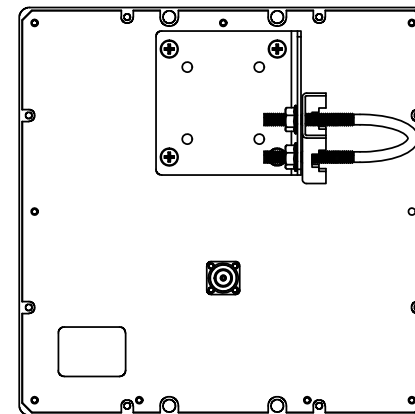
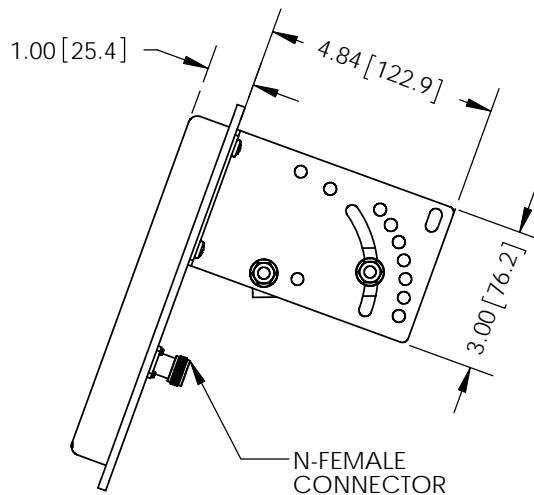
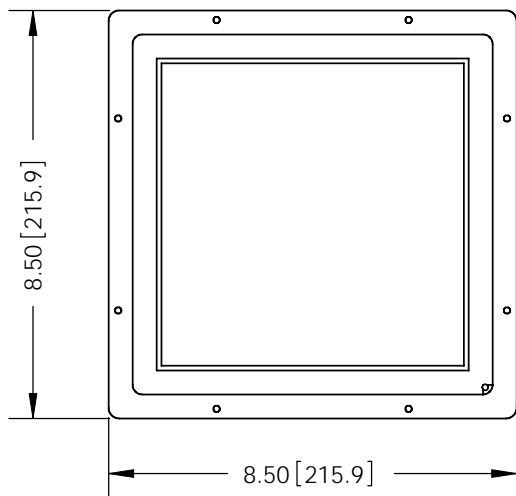
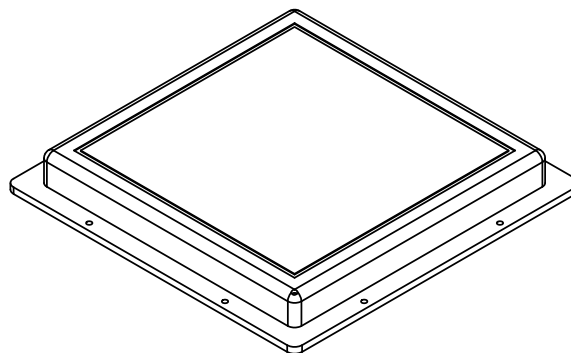
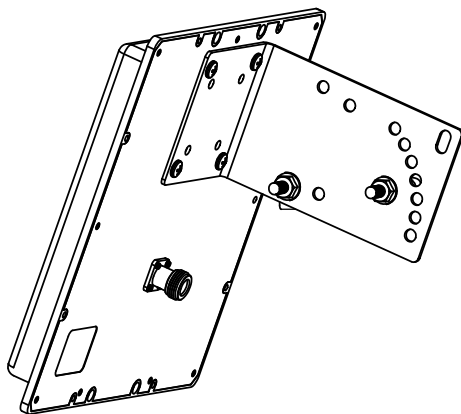


THE INFORMATION CONTAINED IN THIS DRAWING IS THE SOLE PROPERTY OF L-COM, INC. ANY REPRODUCTION IN PART OR WHOLE WITHOUT THE WRITTEN PERMISSION OF L-COM, INC. IS PROHIBITED.

REVISIONS			
REV	DESCRIPTION	DATE	APPROVED
A	Initial Release	06/06/11	B.Puchaski
-	-	-	-
-	-	-	-



RoHS Compliant

NOTES:
 PACKAGING:
 COMPONENT SHALL BE PACKAGED IN ACCORDANCE WITH L-COM SPEC PKG-00012

UNLESS OTHERWISE SPECIFIED, DIMENSIONS ARE IN INCHES [mm] DIMENSIONAL TOLERANCES: .X = ±.1 .XX = ±.01 .XXX = ±.005 ANGULAR TOLERANCES: ALL = ± 1° PROJECTION	APPROVALS DRAWN BY B.Puchaski	DATE 06/06/11	45 BEECHWOOD DRIVE NORTH ANDOVER, MA 01845	
	CHECKED BY P.Pesa	06/06/11		CATEGORY ANTENNA
	APPROVED BY P.Pesa	06/06/11	PRODUCT DESCRIPTION 2.4/5.1 to 5.8GHz 9dBi Flat Panel Antenna w/N-Female Connector	
	CONFIGURATION DETAILS OF UNDIMENSIONED FEATURES MAY VARY	SIZE A	FSCM NO. 43321	DWG. NO. HG2458-09P
COLOR VARIATIONS MAY OCCUR		SCALE: NONE CAD FILE: HG2458-09P.SLDDRW		SHEET 1 OF 1