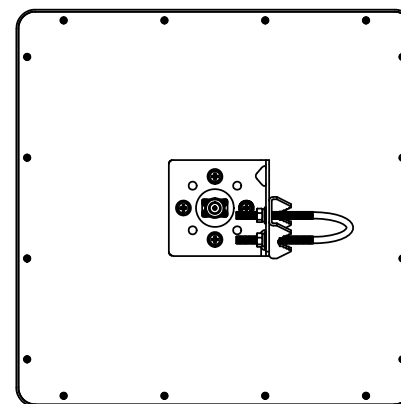
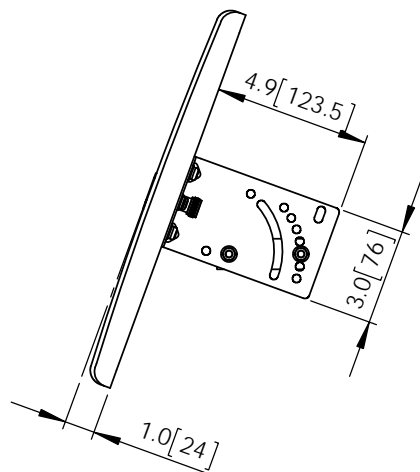
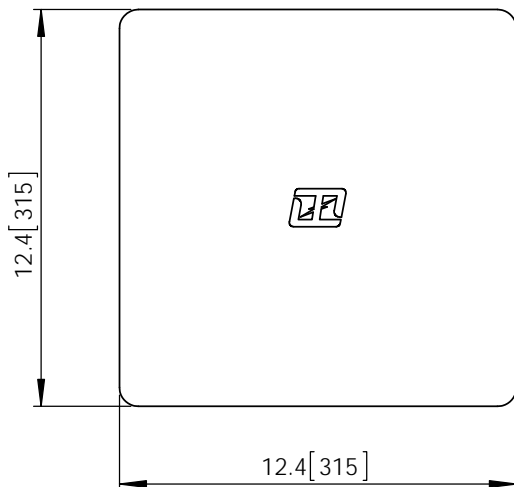
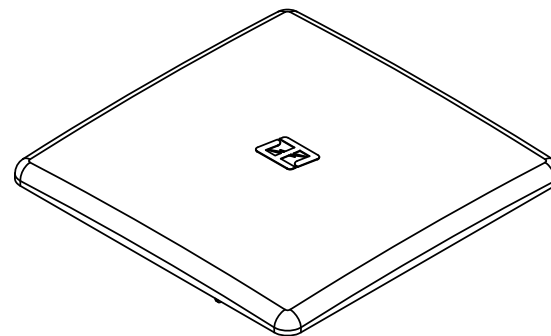
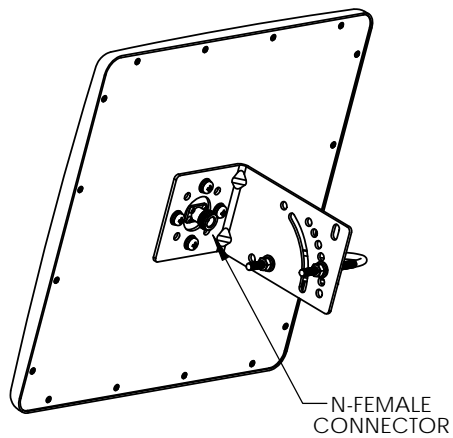


THE INFORMATION CONTAINED IN THIS DRAWING IS THE SOLE PROPERTY OF L-COM, INC. ANY REPRODUCTION IN PART OR WHOLE WITHOUT THE WRITTEN PERMISSION OF L-COM, INC. IS PROHIBITED.

REVISIONS			
REV	DESCRIPTION	DATE	APPROVED
A	INITIAL RELEASE	12/28/10	B.PUCHASKI
B	ECN# 6450 UPDATED DESIGN	10/09/12	B.PUCHASKI



**NOTES:**

PACKAGING:  
COMPONENT SHALL BE PACKAGED IN ACCORDANCE WITH L-COM SPEC PKG-00028.

- ALL DIMENSIONS FOR REFERENCE ONLY -

**REGULATORY COMPLIANCE:**  
CE2011/65/EU(RoHS DIRECTIVE)

UNLESS OTHERWISE SPECIFIED, DIMENSIONS ARE IN INCHES [mm]  DIMENSIONAL TOLERANCES: .X = ±.1 [2.54] .XX = ±.01 [.25] .XXX = ±.005 [.13]  ANGULAR TOLERANCES: ALL = ± 1°  PROJECTION	APPROVALS B.PUCHASKI CHECKED BY K.BURGNER APPROVED BY P.PESA	DATE 12/28/10 12/28/10 12/28/10	45 BEECHWOOD DRIVE NORTH ANDOVER, MA 01845
	CATEGORY ANTENNA		
	CONFIGURATION DETAILS OF UNDIMENSIONED FEATURES MAY VARY		SIZE <b>A</b> FSCM NO. <b>43321</b> DWG. NO. <b>HG2458-20P</b> REV. <b>B</b>
	COLOR VARIATIONS MAY OCCUR		SCALE: NONE    CAD FILE: HG2458-20P.SLDDRW    SHEET 1 OF 1