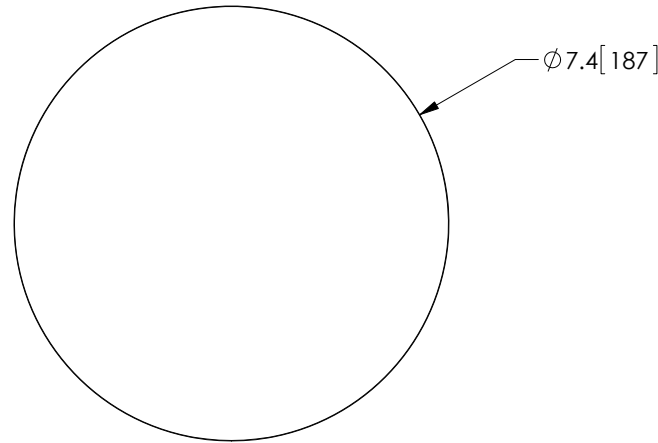
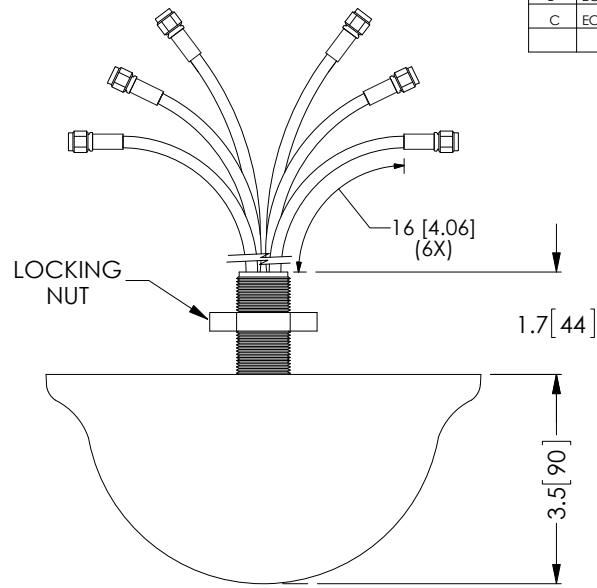


THE INFORMATION CONTAINED IN THIS DRAWING IS THE SOLE PROPERTY OF L-COM, INC. ANY REPRODUCTION IN PART OR WHOLE WITHOUT THE WRITTEN PERMISSION OF L-COM, INC. IS PROHIBITED.

REVISIONS			
REV	DESCRIPTION	DATE	APPROVED
A	INITIAL RELEASE	9/28/10	D.GRIFFIN
B	ECN#6065 REMOVE CABLE ID LABELS	04/02/12	B.PUCHASKI
C	ECN 8886 UPDATE PER VENDOR SPECS	08/18/17	B.PUCHASKI

FREQUENCY RANGE - MHz	2400-2500	5150 - 5850
GAIN - dBi	2.5	4.5
BANDWIDTH - MHz	100	700
VSWR	≤ 1.8	≤2.5
IMPEDANCE	50Ω	
POLARIZATION	VERTICAL	
MAX POWER	50W	



NOTE:

1. CEILING MOUNT
2. SUITABLE FOR INDOOR USE
3. APPLICATIONS:
2.4G/5G WLAN SYSTEM
2.4G/5G WiMax SYSTEM
SUPPORTS IEEE 802.11a/b/g/n
INDOOR HOTSPOT COVERAGE

4. PACKAGE PER L-COM SPECIFICATION PKG-00022.
5. ALL DIMENSIONS ARE FOR REFERENCE ONLY.

REGULATORY COMPLIANCE:
CE200/65/EU(RoHS DIRECTIVE)

UNLESS OTHERWISE SPECIFIED, DIMENSIONS ARE IN INCHES [mm] OVERALL CABLE LENGTH TOLERANCE: ≤12 [305] = +1 [25] / -0 >12 [305] ≤60 [1524] = +2 [51] / -0 >60 [1524] ≤120 [3048] = +4 [102] / -0 >120 [3048] ≤300 [7620] = +6 [152] / -0 >300 [7620] = +5% / -0%	APPROVALS	DATE			50 HIGH STREET NORTH ANDOVER, MA 01845	
	DRAWN BY D. PARHAM	09/24/2010			CATEGORY	ANTENNA
ALL OTHER DIMENSIONAL TOLERANCES: .X = ± .2 [5.08] .XX = ± .02 [1.51] .XXX = ±.005 [1.13]	CHECKED BY D. FRISIELLO	09/27/2010	PRODUCT DESCRIPTION		2.4HGz-5.8GHz DUAL BAND MIMO OMNI ANTENNA W/ 6 RSP CONNECTORS	
	APPROVED BY K. BLOMGREN	09/27/2010	SIZE	FSCM NO.	DWG. NO.	REV.
PROJECTION	CONFIGURATION DETAILS OF UNDIMENSIONED FEATURES MAY VARY		A	43321	HG2458-4SDC-6RSP	C
	COLOR VARIATIONS MAY OCCUR		SCALE: NONE	CAD FILE: HG2458-4SDC-6RSP.SLDDRW	SHEET 1 OF 1	