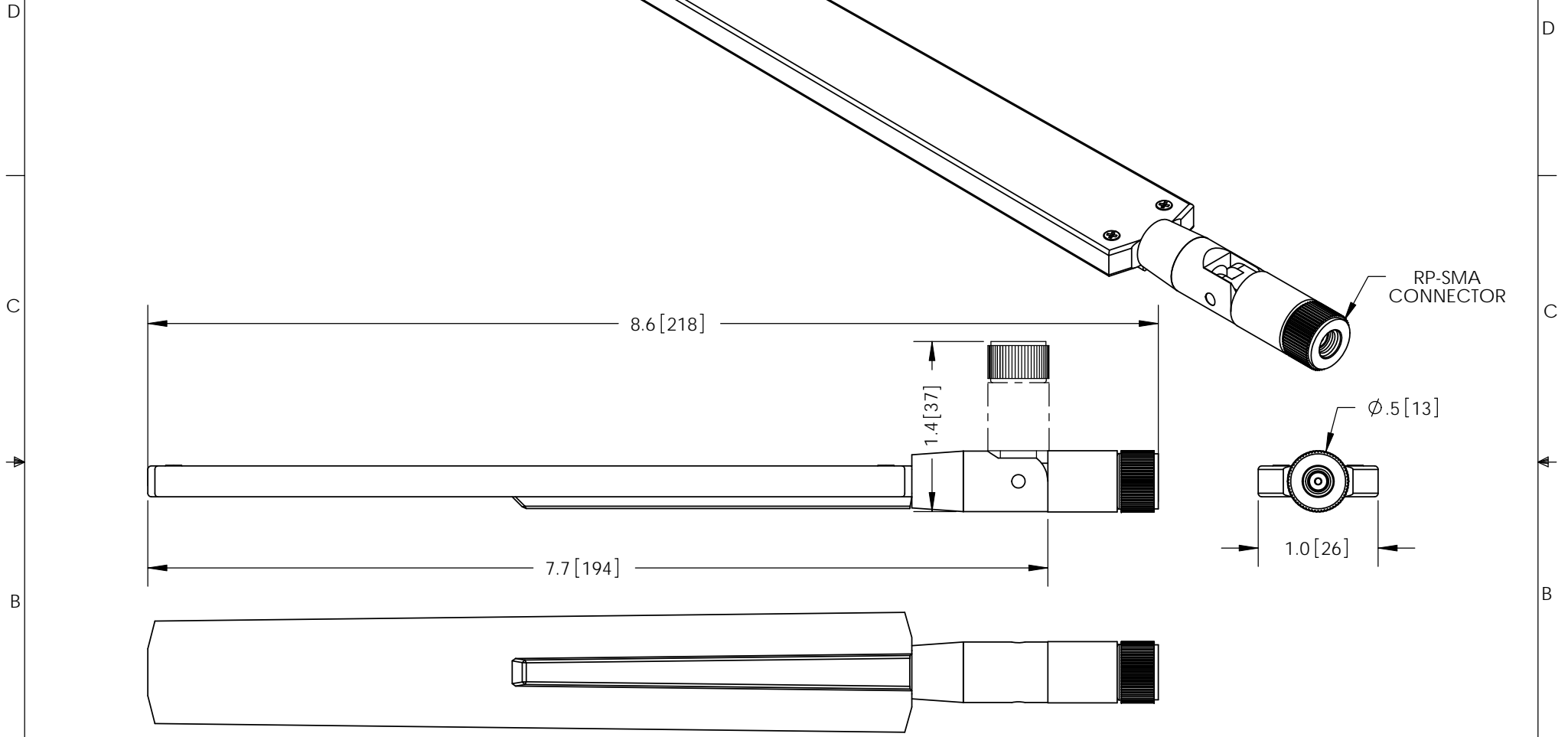


**The following drawing sheet(s) represent
components of:**

HG2458MGRD

THE INFORMATION CONTAINED IN THIS DRAWING IS THE SOLE PROPERTY OF L-COM, INC. ANY REPRODUCTION IN PART OR WHOLE WITHOUT THE WRITTEN PERMISSION OF L-COM, INC. IS PROHIBITED.

| REVISIONS | | | |
|-----------|-------------|----------|------------|
| REV | DESCRIPTION | DATE | APPROVED |
| 1 | PRELIMINARY | 12/05/11 | B.PUCHASKI |
| - | - | - | - |
| - | - | - | - |



RoHS Compliant ✓

NOTES:

PACKAGING:
COMPONENT SHALL BE INDIVIDUALLY PACKAGED IN ACCORDANCE WITH L-COM SPECIFICATION PKG-00031

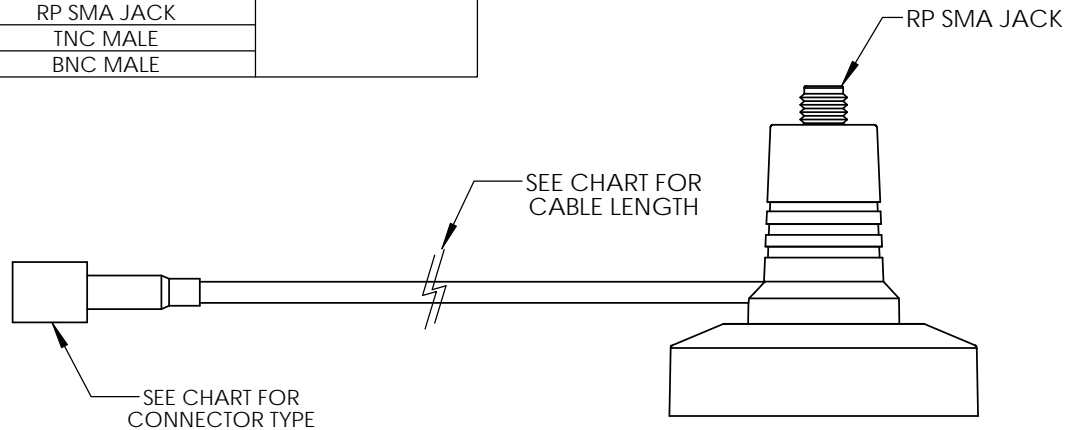
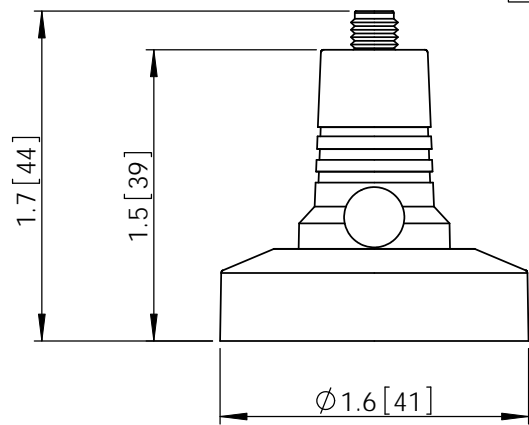
- ALL DIMENSIONS FOR REFERENCE -

| | | | | |
|---|--|----------|--|--|
| UNLESS OTHERWISE SPECIFIED, DIMENSIONS ARE IN INCHES [mm] | APPROVALS | DATE | | 45 BEECHWOOD DRIVE NORTH ANDOVER, MA 01845 |
| | DRAWN BY B.PUCHASKI | 12/05/11 | | |
| DIMENSIONAL TOLERANCES: .X = ±.1 .XX = ±.01 .XXX = ±.005 | CHECKED BY P.PESA | 12/05/11 | CATEGORY ANTENNA | |
| | APPROVED BY P.PESA | 12/05/11 | PRODUCT DESCRIPTION 2.4 / 5.8GHz RUBBER DUCK ANTENNA W/RP-SMA PLUG CONNECTOR | |
| ANGULAR TOLERANCES: ALL = ± 1° | CONFIGURATION DETAILS OF UNDIMENSIONED FEATURES MAY VARY | | SIZE A | FSCM NO. 43321 |
| PROJECTION | COLOR VARIATIONS MAY OCCUR | | DWG. NO. HG2458-5RD-RSP | REV. 1 |
| | | | SCALE: NONE | CAD FILE: HG2458-5RD-RSP.SLDDRW |
| | | | SHEET 1 OF 1 | |

THE INFORMATION CONTAINED IN THIS DRAWING IS THE SOLE PROPERTY OF L-COM, INC. ANY REPRODUCTION IN PART OR WHOLE WITHOUT THE WRITTEN PERMISSION OF L-COM, INC. IS PROHIBITED.

| REVISIONS | | | |
|-----------|-----------------|----------|------------|
| REV | DESCRIPTION | DATE | APPROVED |
| A | INITIAL RELEASE | 09/08/11 | B.PUCHASKI |
| - | - | - | - |
| - | - | - | - |

| MODEL# HMA6-XXXXY | | |
|-----------------------------|---------------|--|
| 1st SUFFIX = CONNECTOR TYPE | | 2nd SUFFIX = CABLE LENGTH (FT) 01 TO 10 FEET (+1 INCH, -0) |
| APM | ALPROX MALE | EXAMPLE: HMA6-NF02 |
| MC | MC CARD MALE | |
| MCX | MCX MALE | |
| MM | MMCX MALE | |
| MMR | MMCX R/A | |
| NM | N-MALE | |
| RSP | RP SMA PLUG | |
| RTJ | RP TNC JACK | |
| RTP | RP TNC PLUG | |
| SEP | SE PLUG | |
| SM | SMA MALE | |
| SMR | SMA MALE R/A | |
| SBP | SBP PLUG | |
| SBJ | SBJ JACK | |
| SNP | SMA NANO PLUG | |
| NF | N-FEMALE | |
| RBP | RP BNC PLUG | |
| RSJ | RP SMA JACK | |
| TM | TNC MALE | |
| BM | BNC MALE | |



NOTES:
 PACKAGING:
 COMPONENT SHALL BE PACKAGED IN ACCORDANCE WITH L-COM SPEC PKG-00012.
 -ALL DIMENSIONS FOR REFERENCE-

RoHS Compliant ✓

| | | | |
|---|--|--------------------------|---|
| UNLESS OTHERWISE SPECIFIED, DIMENSIONS ARE IN INCHES [mm] DIMENSIONAL TOLERANCES: .X = ±.1 .XX = ±.01 .XXX = ±.005 ANGULAR TOLERANCES: ALL = ± 1° PROJECTION | APPROVALS | DATE | 45 BEECHWOOD DRIVE NORTH ANDOVER, MA 01845 |
| | DRAWN BY B.PUCHASKI | 09/08/11 | |
| | CHECKED BY P.PESA | 09/08/11 | |
| | APPROVED BY P.PESA | 09/08/11 | |
| | CONFIGURATION DETAILS OF UNDIMENSIONED FEATURES MAY VARY | | CATEGORY ANTENNA MOUNT |
| | COLOR VARIATIONS MAY OCCUR | | PRODUCT DESCRIPTION RUBBER DUCK MAGNETIC MOUNT W/ 100 SERIES CABLE AND CONNECTOR |
| | SIZE A | FSCM NO. 43321 | DWG. NO. HMA6-XXXXY |
| | SCALE: NONE | | CAD FILE: HMA6-XXXXY.SLDDRW |
| | | | SHEET 1 OF 1 |