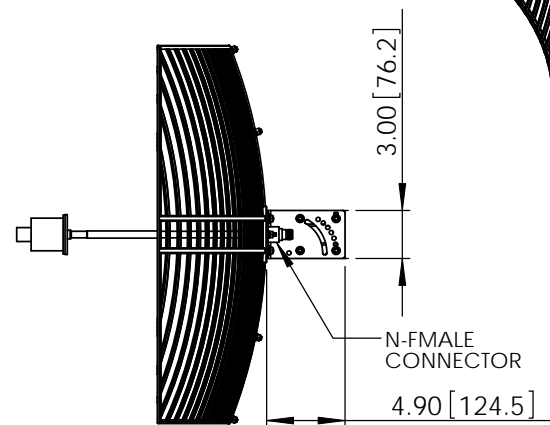
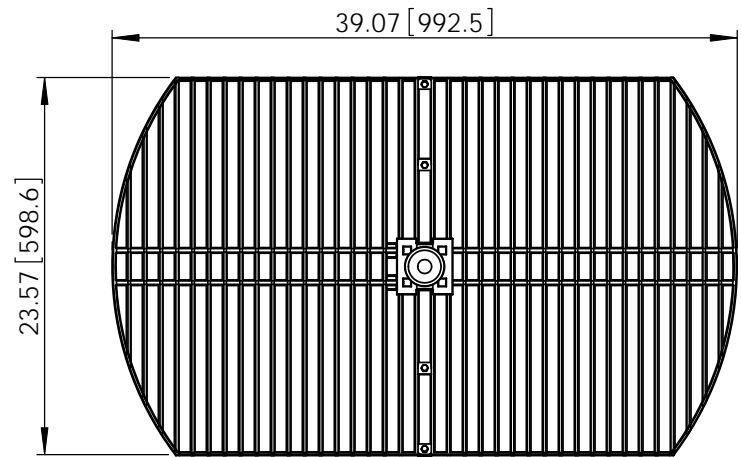
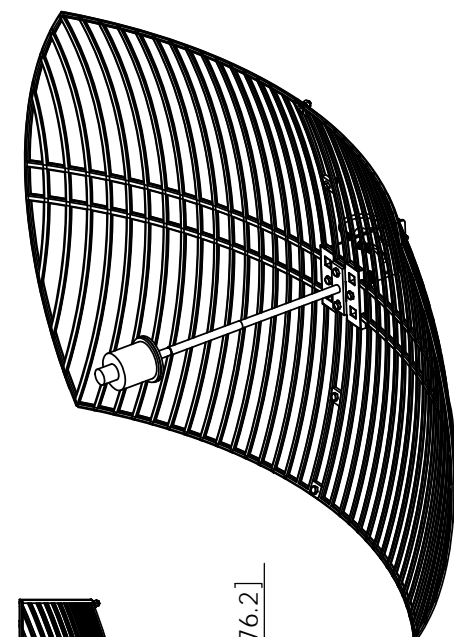
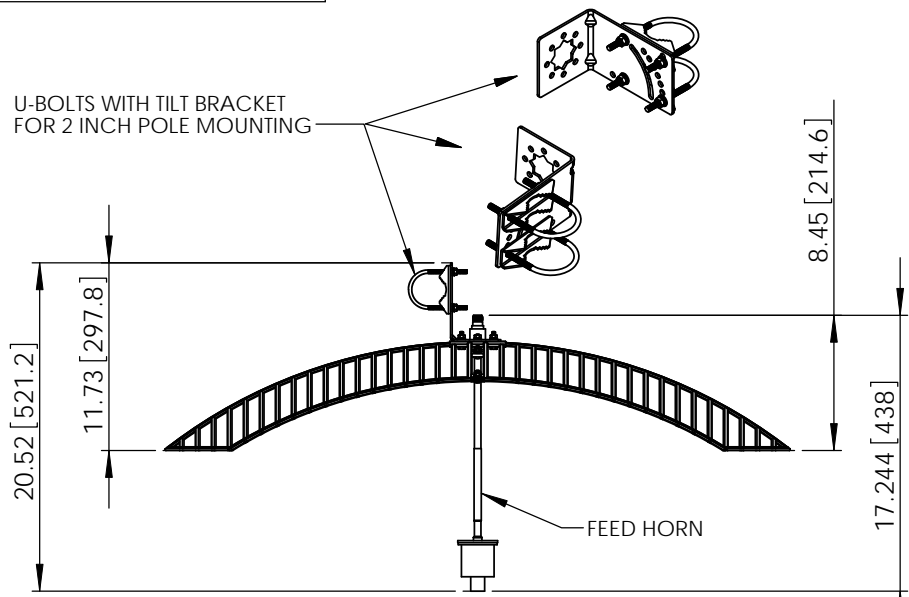


THE INFORMATION CONTAINED IN THIS DRAWING IS THE SOLE PROPERTY OF L-COM, INC. ANY REPRODUCTION IN PART OR WHOLE WITHOUT THE WRITTEN PERMISSION OF L-COM, INC. IS PROHIBITED.

REVISIONS			
REV	DESCRIPTION	DATE	APPROVED
A	Initial Release	03/22/11	B.Puchaski



NOTES:
 PACKAGING:
 COMPONENT SHALL BE PACKAGED IN ACCORDANCE WITH L-COM SPEC PKG-00059

RoHS Compliant

UNLESS OTHERWISE SPECIFIED, DIMENSIONS ARE IN INCHES [mm] DIMENSIONAL TOLERANCES: .X = ±.1 .XX = ±.01 .XXX = ±.005 ANGULAR TOLERANCES: ALL = ± 1° PROJECTION	APPROVALS DRAWN BY B.Puchaski CHECKED BY T. Vaden APPROVED BY P.Pesa	DATE 03/22/11 03/22/11 03/22/11		45 BEECHWOOD DRIVE NORTH ANDOVER, MA 01845
	CATEGORY ANTENNA			PRODUCT DESCRIPTION 3.5GHz 27dBi Grid Antenna w/N-Female Connector
	CONFIGURATION DETAILS OF UNDIMENSIONED FEATURES MAY VARY COLOR VARIATIONS MAY OCCUR		SIZE A FSCM NO. 43321 DWG. NO. HG3527EG	
	SCALE: NONE CAD FILE: HG3527EG.SLDRW		SHEET 1 OF 1	