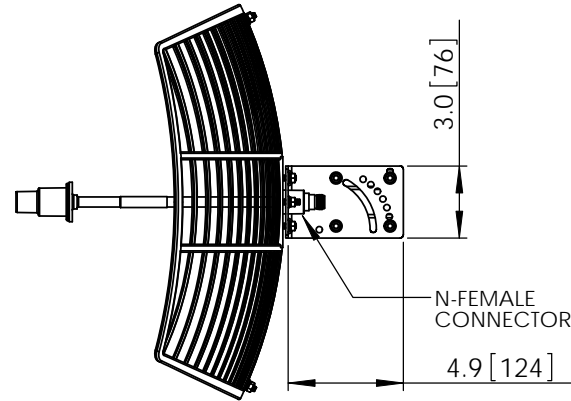
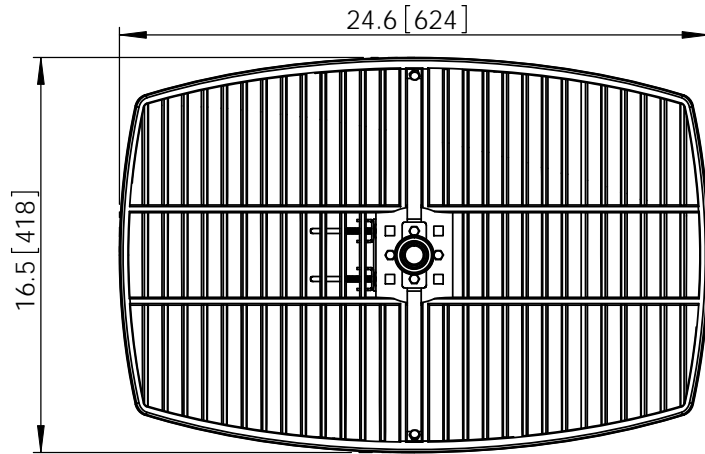
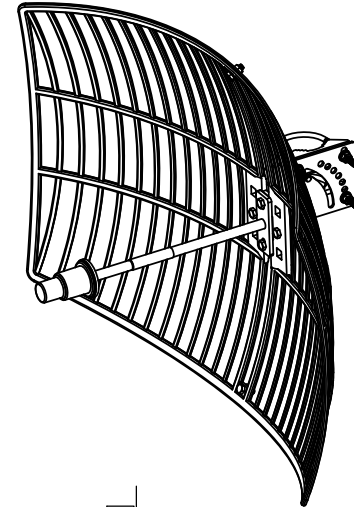
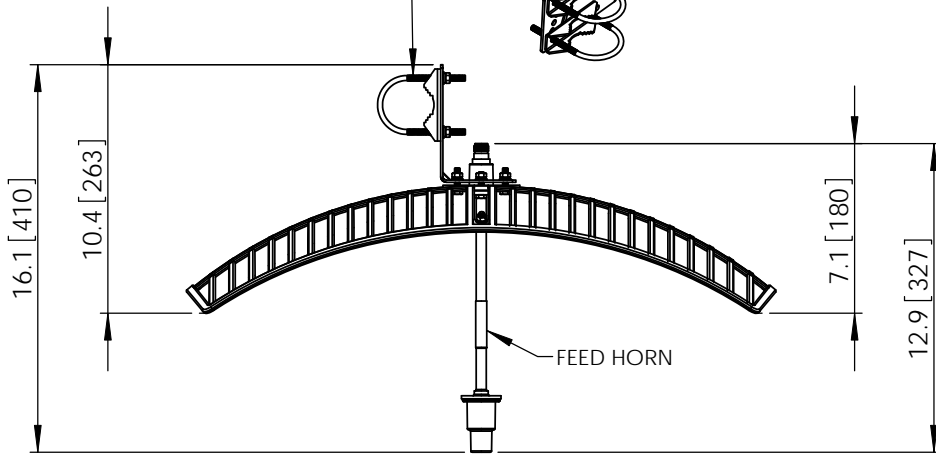


THE INFORMATION CONTAINED IN THIS DRAWING IS THE SOLE PROPERTY OF L-COM, INC. ANY REPRODUCTION IN PART OR WHOLE WITHOUT THE WRITTEN PERMISSION OF L-COM, INC. IS PROHIBITED.

REVISIONS			
REV	DESCRIPTION	DATE	APPROVED
A	INITIAL RELEASE	09/12/11	B.PUCHASKI
B	GRID DIMENSIONS ADJUSTED ECN#5744	09/29/11	B.PUCHASKI

U-BOLTS WITH TILT BRACKET FOR 2 INCH POLE MOUNTING



NOTES:
 PACKAGING:
 COMPONENT SHALL BE PACKAGED IN ACCORDANCE WITH L-COM SPEC PKG-00001
 - ALL DIMENSIONS FOR REFERENCE-

RoHS Compliant ✓

UNLESS OTHERWISE SPECIFIED, DIMENSIONS ARE IN INCHES [mm]	APPROVALS	DATE		45 BEECHWOOD DRIVE NORTH ANDOVER, MA 01845
	DRAWN BY B.PUCHASKI	09/12/11		
DIMENSIONAL TOLERANCES: .X = ±.1 .XX = ±.01 .XXX = ±.005	CHECKED BY P.PESA	09/12/11	CATEGORY ANTENNA	
	APPROVED BY P.PESA	09/12/11	PRODUCT DESCRIPTION 4.9GHz to 5.8GHz 27dBi GRID ANTENNA W/N-FEMALE CONNECTOR	
ANGULAR TOLERANCES: ALL = ± 1°	CONFIGURATION DETAILS OF UNDIMENSIONED FEATURES MAY VARY		SIZE A	FSCM NO. 43321
PROJECTION 	COLOR VARIATIONS MAY OCCUR		DWG. NO. HG4958-27EG	REV. B
SCALE: NONE			CAD FILE: HG4958-27EG.SLDDRW	
				SHEET 1 OF 1