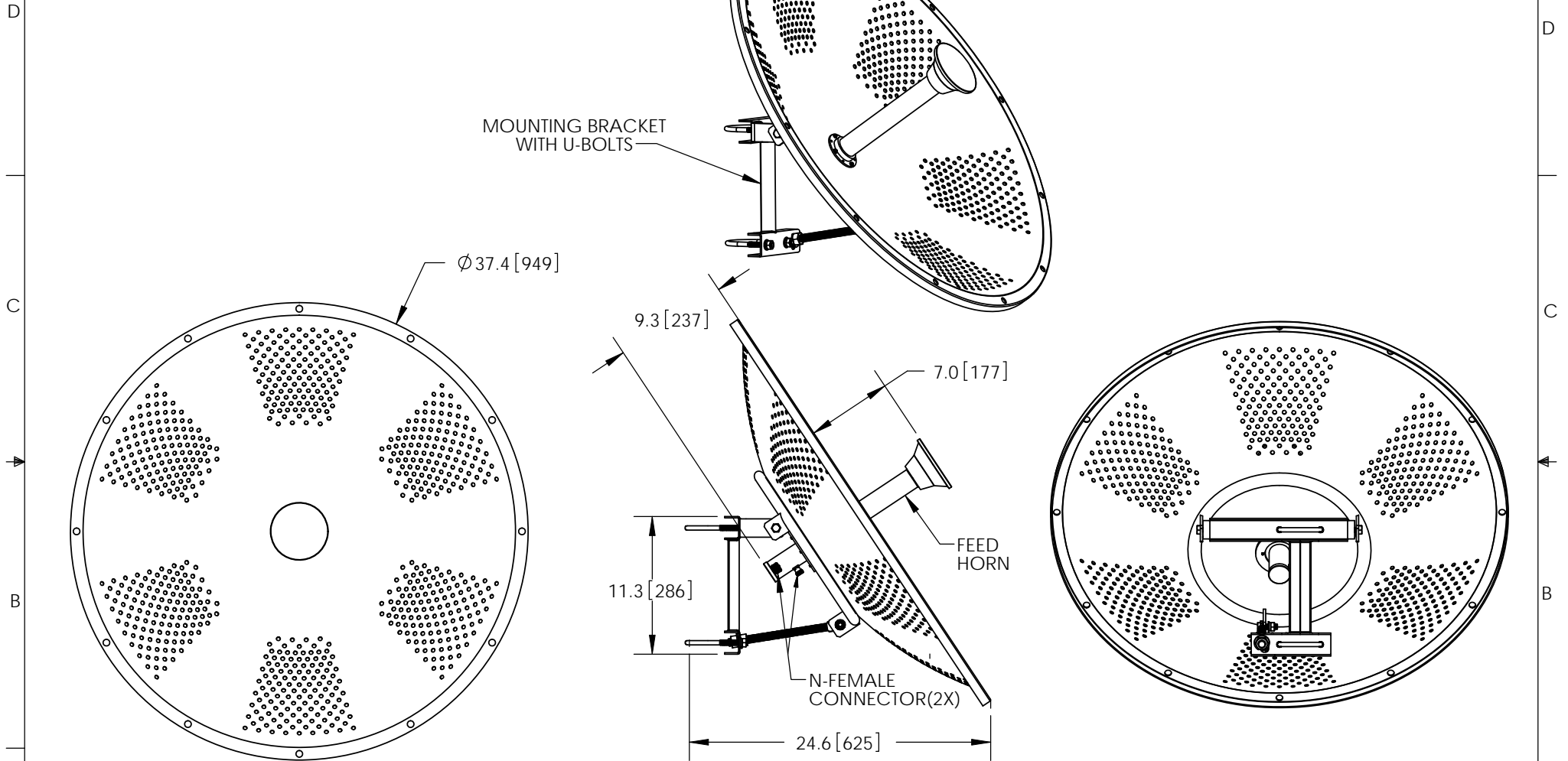


THE INFORMATION CONTAINED IN THIS DRAWING IS THE SOLE PROPERTY OF L-COM, INC. ANY REPRODUCTION IN PART OR WHOLE WITHOUT THE WRITTEN PERMISSION OF L-COM, INC. IS PROHIBITED.

REVISIONS			
REV	DESCRIPTION	DATE	APPROVED
A	INITIAL RELEASE	08/25/11	B.PUCHASKI



NOTES:  
 PACKAGING:  
 COMPONENT SHALL BE PACKAGED IN ACCORDANCE WITH L-COM SPEC PKG-00083  
 - ALL DIMENSIONS FOR REFERENCE-

RoHS Compliant ✓

UNLESS OTHERWISE SPECIFIED, DIMENSIONS ARE IN INCHES [mm]  DIMENSIONAL TOLERANCES: .X = ±.1 .XX = ±.01 .XXX = ±.005  ANGULAR TOLERANCES: ALL = ± 1°  PROJECTION 	APPROVALS	DATE		45 BEECHWOOD DRIVE NORTH ANDOVER, MA 01845	
	DRAWN BY B.PUCHASKI	08/25/11			
	CHECKED BY P.PESA	08/25/11	CATEGORY	ANTENNA	
	APPROVED BY P.PESA	08/25/11	PRODUCT DESCRIPTION	4.9GHz TO 5.8GHz 34dBI DUAL POLARIZED PARABOLIC DISH ANTENNA W/(2)N-FEMALE CONNECTORS	
	CONFIGURATION DETAILS OF UNDIMENSIONED FEATURES MAY VARY	SIZE <b>A</b>	FSCM NO. <b>43321</b>	DWG. NO. <b>HG4958DP-34D</b>	REV. <b>A</b>
	COLOR VARIATIONS MAY OCCUR	SCALE: NONE	CAD FILE: HG4958DP-34D.SLDDRW	SHEET 1 OF 1	