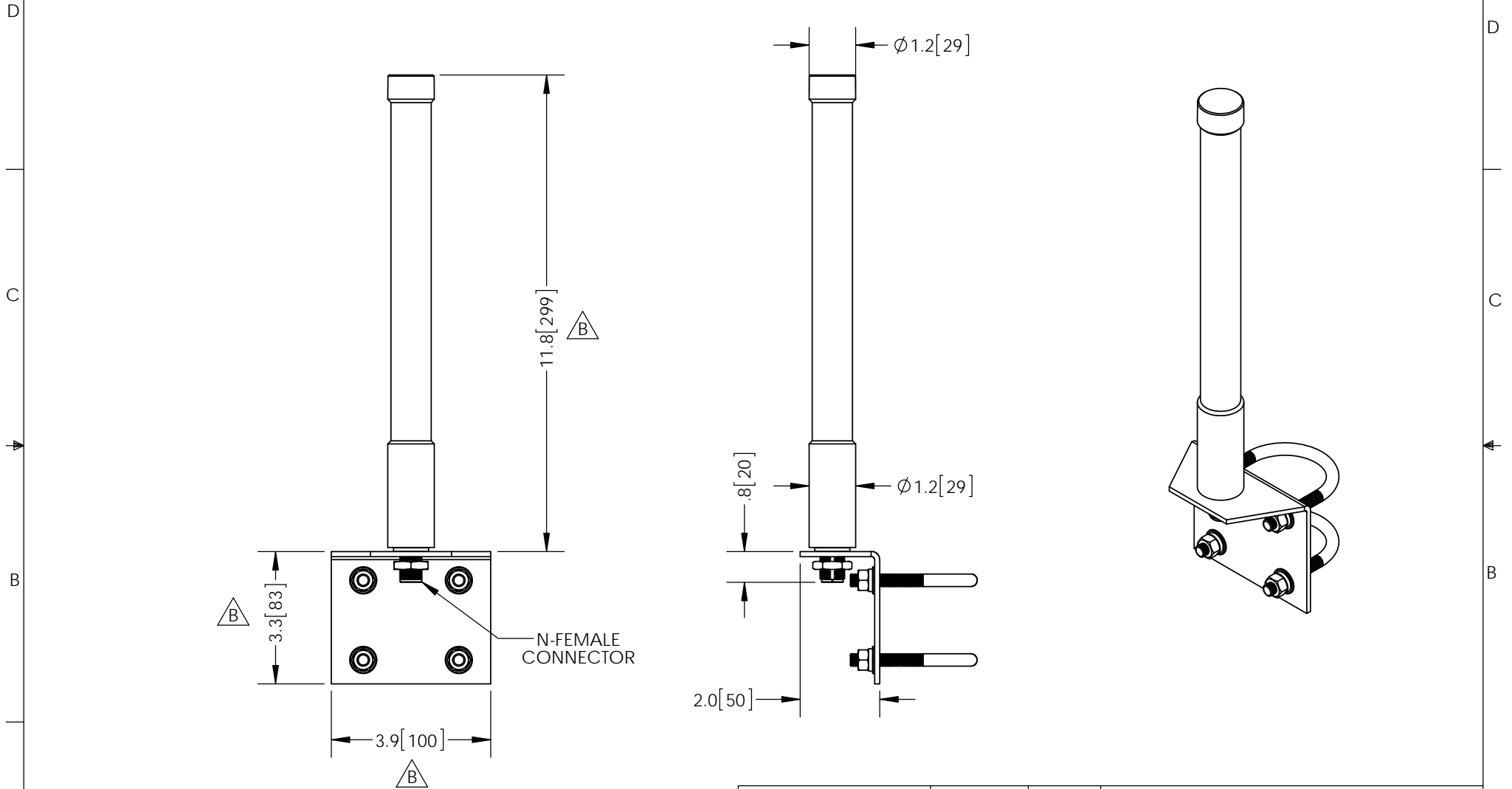


THE INFORMATION CONTAINED IN THIS DRAWING IS THE SOLE PROPERTY OF L-COM, INC. ANY REPRODUCTION IN PART OR WHOLE WITHOUT THE WRITTEN PERMISSION OF L-COM, INC. IS PROHIBITED.

REVISIONS			
REV	DESCRIPTION	DATE	APPROVED
A	INITIAL RELEASE	3/13/13	D.GRIFFIN
B	ECN 9013 UPDATE PER VENDOR SPECS	12/18/17	B.PUCHASKI



NOTES:
PACKAGING:
 COMPONENT SHALL BE PACKAGED IN ACCORDANCE WITH L-COM SPEC PKG-00071

- ALL DIMENSIONS FOR REFERENCE ONLY -

REGULATORY COMPLIANCE:
 CE2011/65/EU(RoHS DIRECTIVE)

UNLESS OTHERWISE SPECIFIED, DIMENSIONS ARE IN INCHES [mm] DIMENSIONAL TOLERANCES: .X = ±.1 [2.54] .XX = ±.01 [.25] .XXX = ±.005 [.13] ANGULAR TOLERANCES: ALL = ± 1°	APPROVALS	DATE		50 HIGH STREET NORTH ANDOVER, MA 01845
	DRAWN BY B.PUCHASKI	01/08/13		
PROJECTION 	CHECKED BY P.PESA	01/08/13	CATEGORY ANTENNA	
	APPROVED BY P.PESA	01/08/13	PRODUCT DESCRIPTION 5.1-5.8GHz 6dbi OMNI MINI PRO ANTENNA W/ N-FEMALE CONNECTOR	
COLOR VARIATIONS MAY OCCUR	SIZE A	FSCM NO. 43321	DWG. NO. HG5158-06UP-NF	REV. B
SCALE: NONE		CAD FILE: HG5158-06UP-NF.SLDDRW		SHEET 1 OF 1