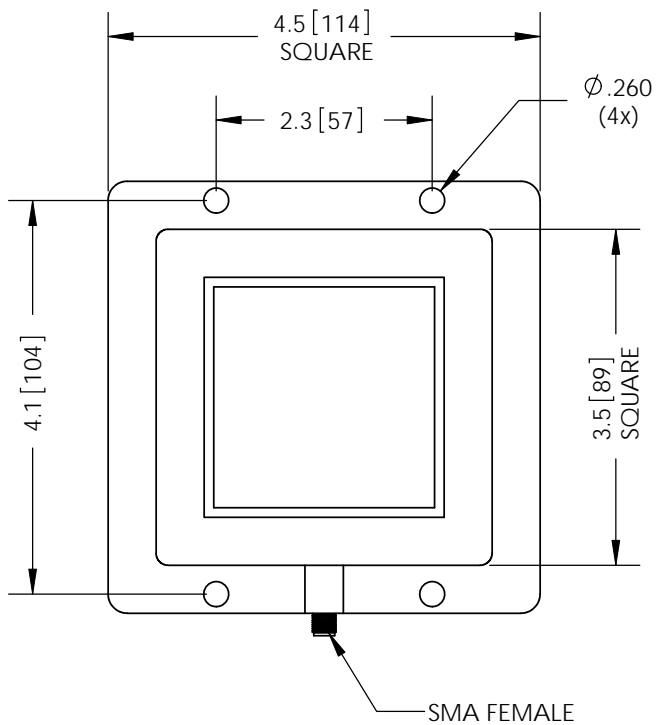
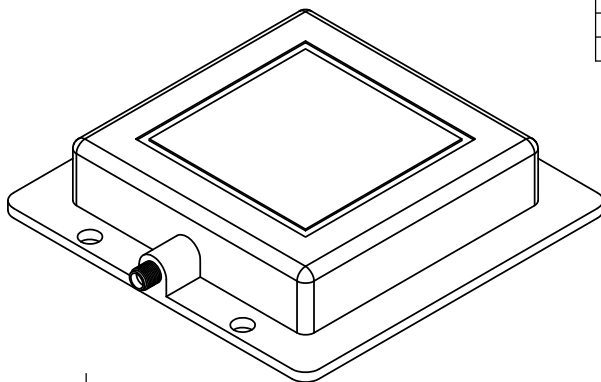
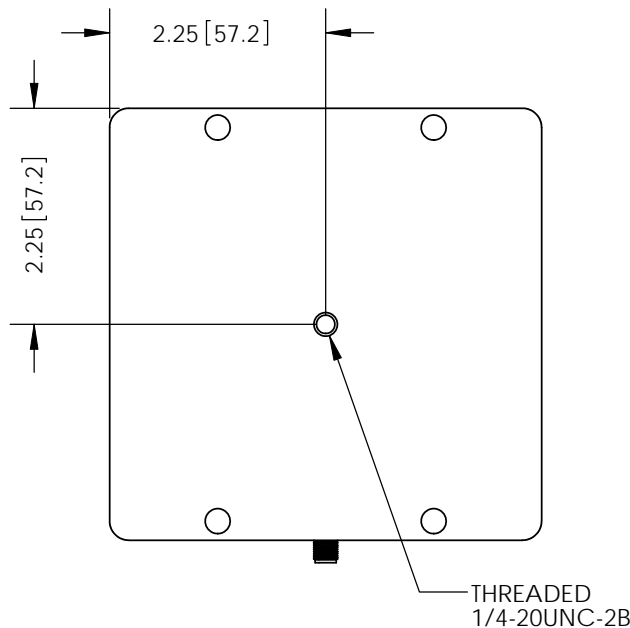
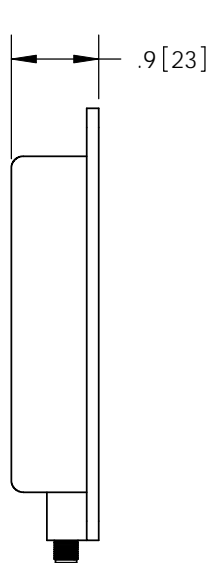


THE INFORMATION CONTAINED IN THIS DRAWING IS THE SOLE PROPERTY OF L-COM, INC. ANY REPRODUCTION IN PART OR WHOLE WITHOUT THE WRITTEN PERMISSION OF L-COM, INC. IS PROHIBITED.

REVISIONS			
REV	DESCRIPTION	DATE	APPROVED
A	INITIAL RELEASE	09/29/11	B.PUCHASKI



Ø.260 (4x)



RoHS Compliant ✓

NOTES:
PACKAGING:
COMPONENT SHALL BE PACKAGED IN ACCORDANCE WITH L-COM SPEC PKG-00012
- ALL DIMENSION FOR REFERENCE -

UNLESS OTHERWISE SPECIFIED, DIMENSIONS ARE IN INCHES [mm] DIMENSIONAL TOLERANCES: .X = ±.1 .XX = ±.01 .XXX = ±.005 ANGULAR TOLERANCES: ALL = ± 1°	APPROVALS	DATE		45 BEECHWOOD DRIVE NORTH ANDOVER, MA 01845	
	DRAWN BY B.PUCHASKI	09/29/11			
	CHECKED BY P.PESA	09/29/11	CATEGORY ANTENNA		
	APPROVED BY P.PESA	09/29/11	PRODUCT DESCRIPTION 5.1GHz TO 5.9GHz 8dBi FLAT PATCH ANTENNA W/SMA FEMALE CONNECTOR		
PROJECTION 	COLOR VARIATIONS MAY OCCUR	SIZE A	FSCM NO. 43321	DWG. NO. HG5158P	REV. A
		SCALE: NONE	CAD FILE: HG5158P.SLDDRW	SHEET 1 OF 1	