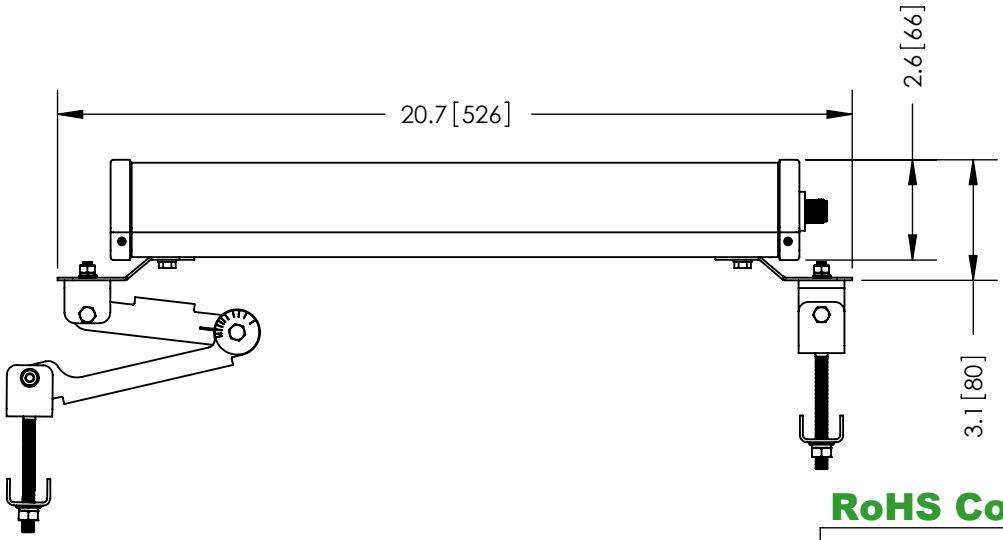
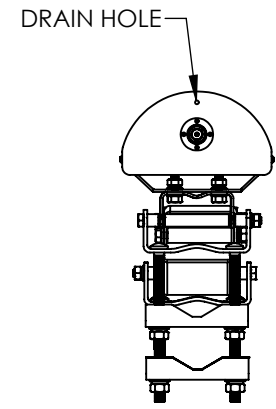
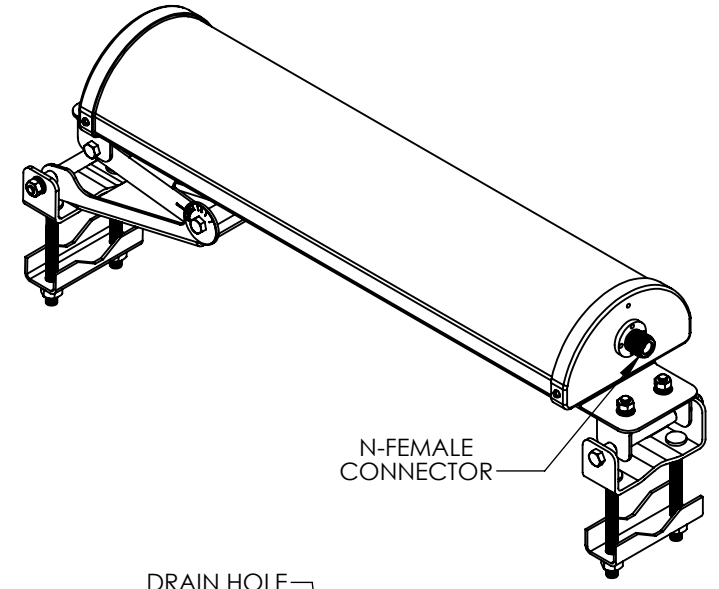
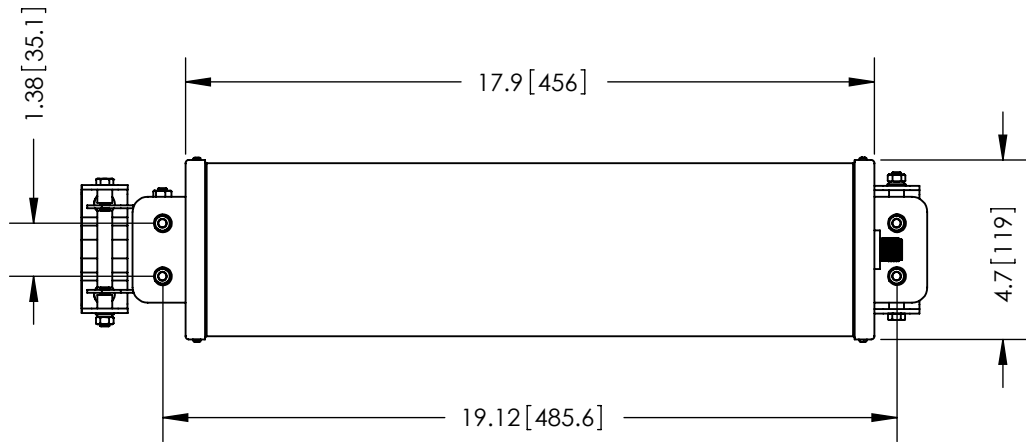


THE INFORMATION CONTAINED IN THIS DRAWING IS THE SOLE PROPERTY OF L-COM, INC. ANY REPRODUCTION IN PART OR WHOLE WITHOUT THE WRITTEN PERMISSION OF L-COM, INC. IS PROHIBITED.

REVISIONS			
REV	DESCRIPTION	DATE	APPROVED
A	INITIAL RELEASE	1/31/12	D.GRIFFIN



NOTES:  
 PACKAGING:  
 COMPONENT SHALL BE PACKAGED IN ACCORDANCE WITH L-COM SPEC PKG-00010.  
 - ALL DIMENSION FOR REFERENCE -

**RoHS Compliant** ✓

UNLESS OTHERWISE SPECIFIED, DIMENSIONS ARE IN INCHES [mm]  DIMENSIONAL TOLERANCES: .X = ±.1 .XX = ±.01 .XXX = ±.005  ANGULAR TOLERANCES: ALL = ± 1°	APPROVALS	DATE		45 BEECHWOOD DRIVE NORTH ANDOVER, MA 01845
	DRAWN BY B.PUCHASKI	01/30/12		
PROJECTION 	CHECKED BY P.PESA	01/30/12	CATEGORY <b>ANTENNA</b>	
	APPROVED BY T. Vaden	01/30/12	PRODUCT DESCRIPTION <b>5.8GHz 17dBi 90° SECTOR PANEL ANTENNA W/N-FEMALE CONNECTOR</b>	
COLOR VARIATIONS MAY OCCUR	SIZE <b>A</b>	FSCM NO. <b>43321</b>	DWG. NO. <b>HG5817P-090</b>	REV. <b>A</b>
SCALE: NONE		CAD FILE: HG5817P-090.SLDDRW		SHEET 1 OF 1