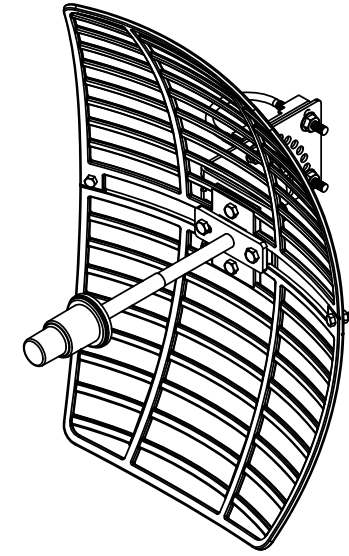
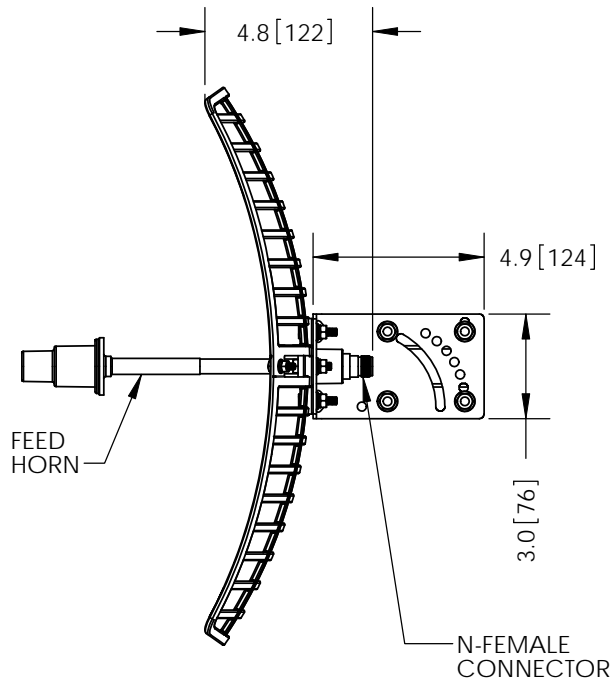
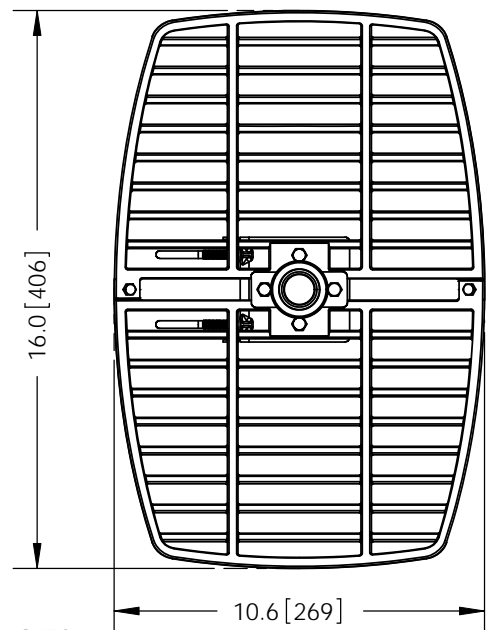
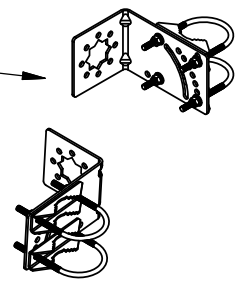
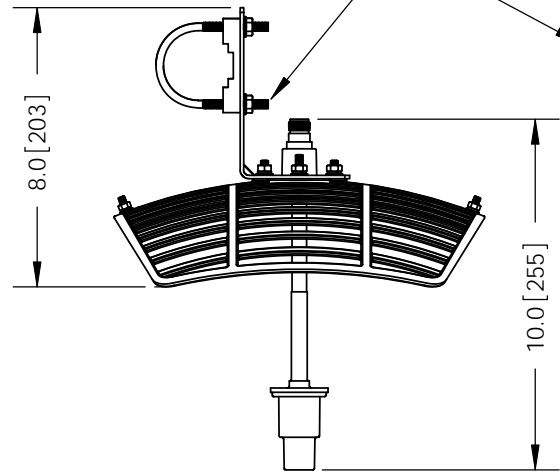


THE INFORMATION CONTAINED IN THIS DRAWING IS THE SOLE PROPERTY OF L-COM, INC. ANY REPRODUCTION IN PART OR WHOLE WITHOUT THE WRITTEN PERMISSION OF L-COM, INC. IS PROHIBITED.

REVISIONS			
REV	DESCRIPTION	DATE	APPROVED
A	INITIAL RELEASE	09/14/11	B.PUCHASKI

U-BOLTS WITH TILT BRACKET FOR 2 INCH POLE MOUNTING



NOTES:
 PACKAGING:
 COMPONENT SHALL BE PACKAGED IN ACCORDANCE WITH L-COM SPEC PKG-00001
 - ALL DIMENSIONS FOR REFERENCE -

RoHS Compliant ✓

UNLESS OTHERWISE SPECIFIED, DIMENSIONS ARE IN INCHES [mm] DIMENSIONAL TOLERANCES: .X = ±.1 .XX = ±.01 .XXX = ±.005 ANGULAR TOLERANCES: ALL = ± 1° PROJECTION	APPROVALS DRAWN BY B.PUCHASKI	DATE 09/14/11	45 BEECHWOOD DRIVE NORTH ANDOVER, MA 01845	
	CHECKED BY P.PESA	09/14/11		CATEGORY ANTENNA
	APPROVED BY P.PESA	09/14/11	PRODUCT DESCRIPTION 5.8GHz 22dBI GRID ANTENNA W/ N-FEMALE CONNECTOR	
	CONFIGURATION DETAILS OF UNDIMENSIONED FEATURES MAY VARY COLOR VARIATIONS MAY OCCUR	SIZE A	FSCM NO. 43321	DWG. NO. HG5822EG
SCALE: NONE		CAD FILE: HG5822EG.SLDDRW		SHEET 1 OF 1