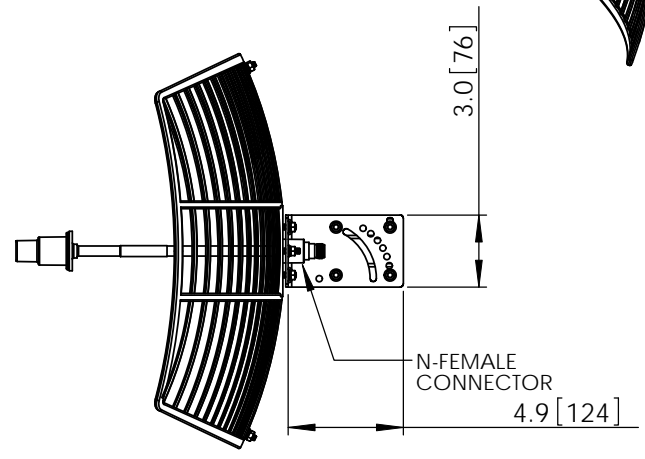
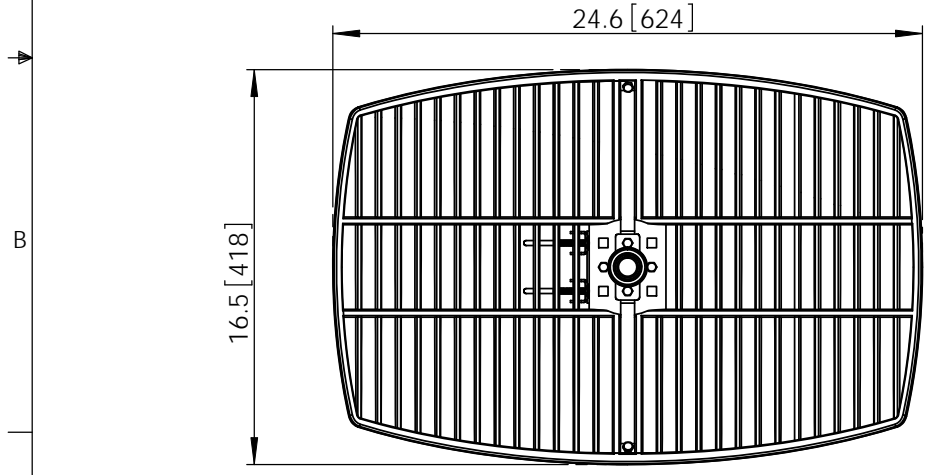
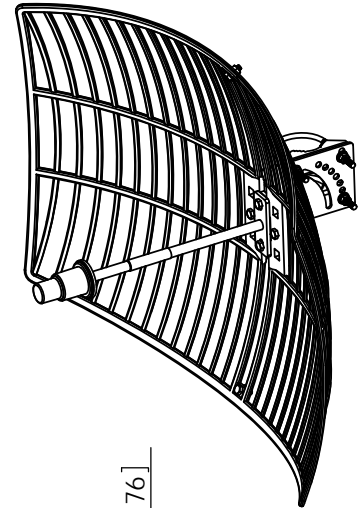
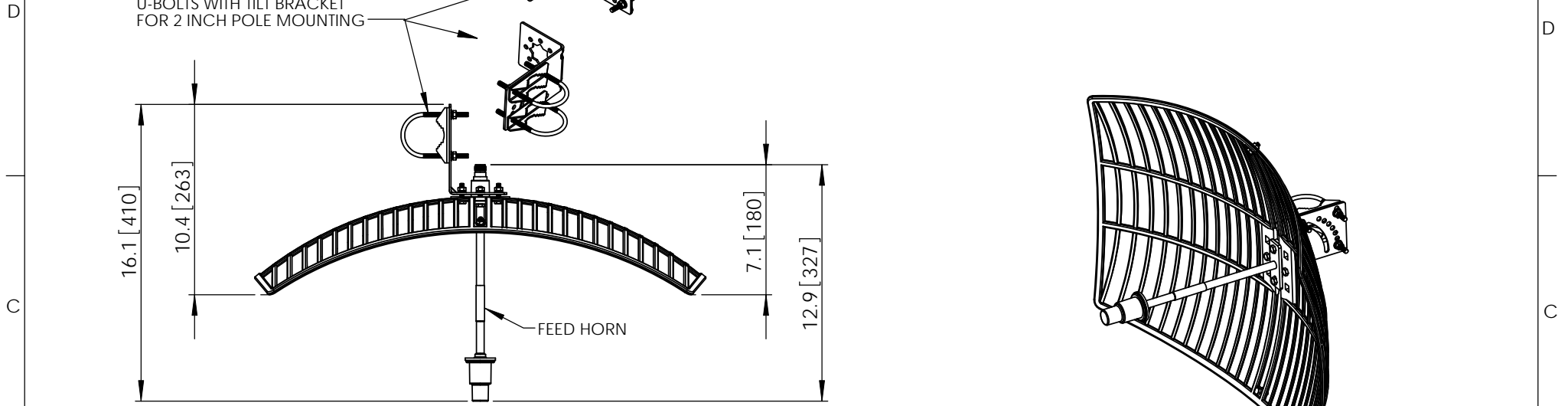


THE INFORMATION CONTAINED IN THIS DRAWING IS THE SOLE PROPERTY OF L-COM, INC. ANY REPRODUCTION IN PART OR WHOLE WITHOUT THE WRITTEN PERMISSION OF L-COM, INC. IS PROHIBITED.

REVISIONS			
REV	DESCRIPTION	DATE	APPROVED
A	INITIAL RELEASE	09/07/11	B.PUCHASKI
B	GRID DIMENSIONS ADJUSTED ECN#5744	09/29/11	B.PUCHASKI



NOTES:  
 PACKAGING:  
 COMPONENT SHALL BE PACKAGED IN ACCORDANCE WITH L-COM SPEC PKG-00001

- ALL DIMENSIONS FOR REFERENCE -

RoHS Compliant ✓

UNLESS OTHERWISE SPECIFIED, DIMENSIONS ARE IN INCHES [mm]	APPROVALS	DATE		45 BEECHWOOD DRIVE NORTH ANDOVER, MA 01845	
	DRAWN BY B.PUCHASKI	09/07/11			
	DIMENSIONAL TOLERANCES:	CHECKED BY P.PESA	09/07/11	CATEGORY	
	.X = ±.1 .XX = ±.01 .XXX = ±.005	APPROVED BY P.PESA	09/07/11	ANTENNA	
ANGULAR TOLERANCES: ALL = ± 1°	CONFIGURATION DETAILS OF UNDIMENSIONED FEATURES MAY VARY		PRODUCT DESCRIPTION		
PROJECTION	COLOR VARIATIONS MAY OCCUR	SIZE <b>A</b>	FSCM NO. <b>43321</b>	DWG. NO. <b>HG5827EG</b>	REV. <b>B</b>
		SCALE: NONE	CAD FILE: HG5827EG.SLDDRW	SHEET 1 OF 1	