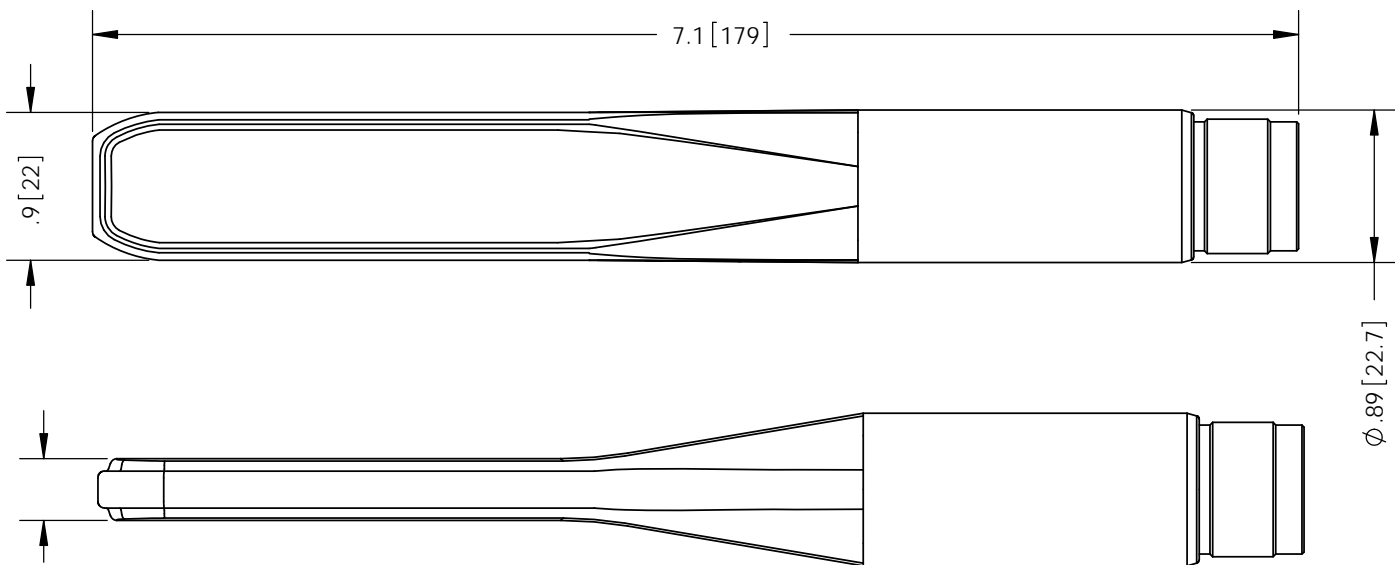
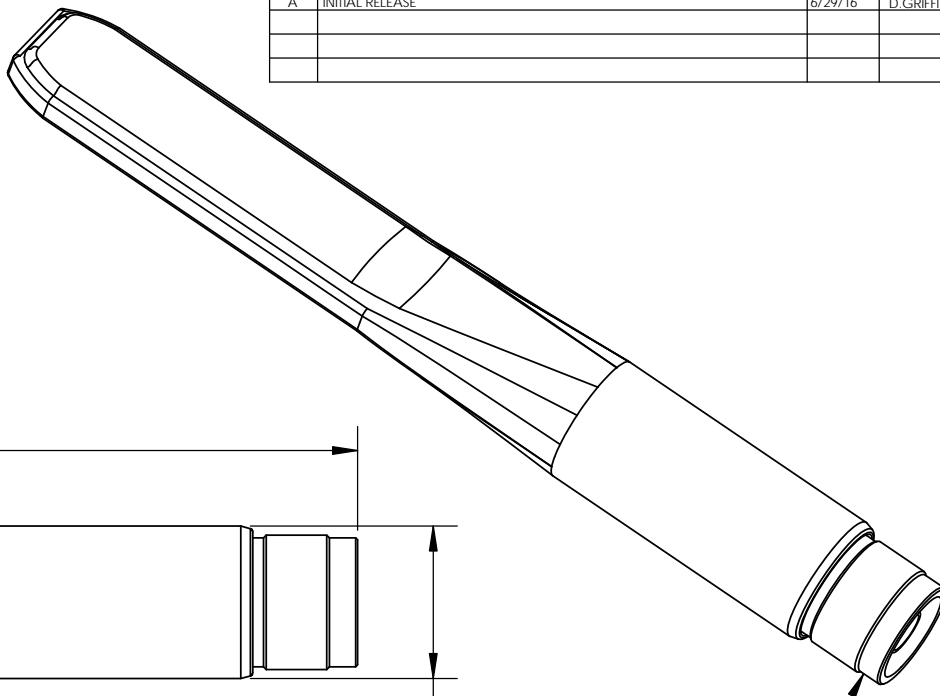
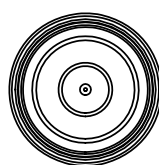


THE INFORMATION CONTAINED IN THIS DRAWING IS THE SOLE PROPERTY OF L-COM, INC. ANY REPRODUCTION IN PART OR WHOLE WITHOUT THE WRITTEN PERMISSION OF L-COM, INC. IS PROHIBITED.

REVISIONS			
REV	DESCRIPTION	DATE	APPROVED
A	INITIAL RELEASE	6/29/16	D.GRIFFIN



N-MALE CONNECTOR



NOTES:
PACKAGING:
 COMPONENT SHALL BE PACKAGED IN ACCORDANCE WITH L-COM SPEC PKG-00012.

REGULATORY COMPLIANCE:
 CE2011/56/EU(RoHS DIRECTIVE)

UNLESS OTHERWISE SPECIFIED, DIMENSIONS ARE IN INCHES [mm] DIMENSIONAL TOLERANCES: .X = ±.1 [2.54] .XX = ±.01 [.25] .XXX = ±.005 [.13] ANGULAR TOLERANCES: ALL = ± 1°	APPROVALS	DATE			50 HIGH STREET NORTH ANDOVER, MA 01845	
	DRAWN BY B.PUCHASKI	06/28/16			CATEGORY	
	CHECKED BY P.PESA	06/28/16	PRODUCT DESCRIPTION		700 - 2700MHz 3dBi RIGID OUTDOOR RUBBERDUCK ANTENNA W/ N-MALE CONNECTOR	
	APPROVED BY P.PESA	06/28/16	SIZE	FSCM NO.	DWG. NO.	REV.
PROJECTION	COLOR VARIATIONS MAY OCCUR	A	43321	HG72703RDR-NM	A	
SCALE: NONE		CAD FILE: HG72703RDR-NM.SLDDRW		SHEET 1 OF 1		

