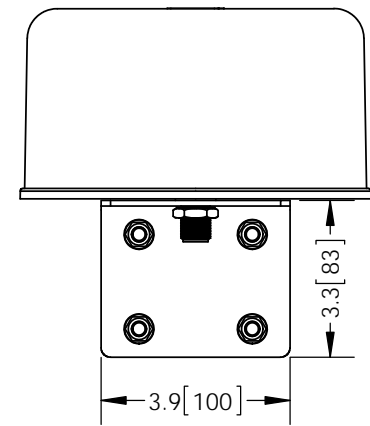
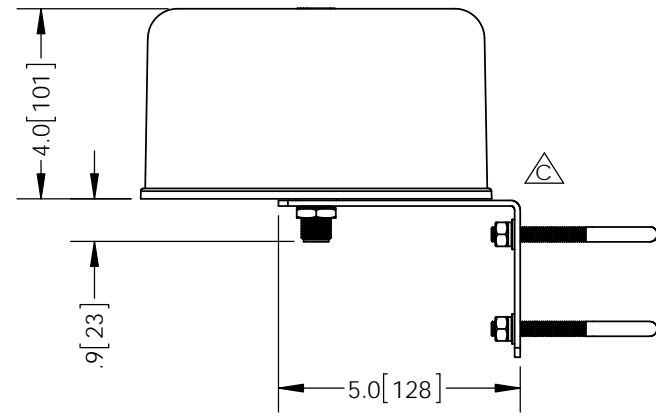
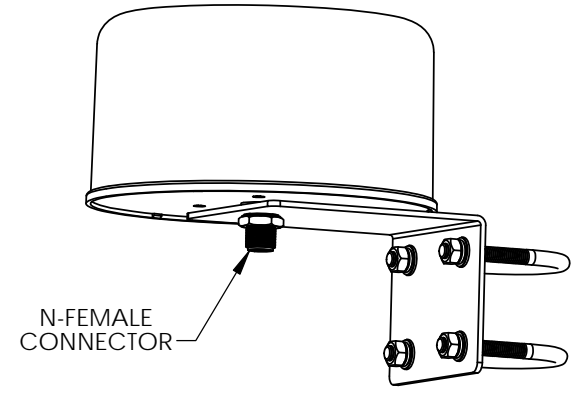
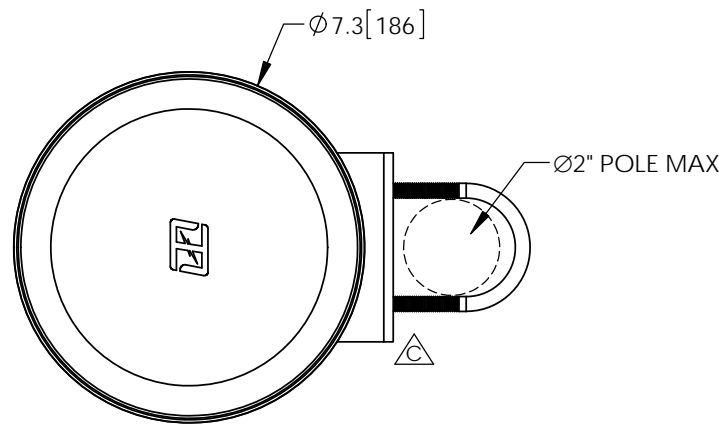


THE INFORMATION CONTAINED IN THIS DRAWING IS THE SOLE PROPERTY OF L-COM, INC. ANY REPRODUCTION IN PART OR WHOLE WITHOUT THE WRITTEN PERMISSION OF L-COM, INC. IS PROHIBITED.

REVISIONS			
REV	DESCRIPTION	DATE	APPROVED
A	INITIAL RELEASE	2/22/13	D.GRIFFIN
B	ECN 6869 REMOVE (2) POLE CLAMPS, UPDATE CONNECTOR DETAIL	05/29/13	B.PUCHASKI
C	ECN8122 UPDATE MOUNTING BRACKET AND U-BOLT	10/07/15	B.PUCHASKI



NOTE:
 1- EACH UNIT TO BE INDIVIDUALLY PACKAGED PER L-COM SPEC PKG-00094
 - ALL DIMENSIONS FOR REFERENCE ONLY -

REGULATORY COMPLIANCE:
 CE2011/65/EU(RoHS DIRECTIVE)

UNLESS OTHERWISE SPECIFIED, DIMENSIONS ARE IN INCHES [mm] DIMENSIONAL TOLERANCES: .X = ±.1 [2.54] .XX = ±.01 [.25] .XXX = ±.005 [.13] ANGULAR TOLERANCES: ALL = ± 1°	APPROVALS B.PUCHASKI	DATE 02/21/11			45 BEECHWOOD DRIVE NORTH ANDOVER, MA 01845
	CHECKED BY P.PESA	02/21/11	CATEGORY ANTENNA		
	APPROVED BY P.PESA	02/21/11	PRODUCT DESCRIPTION 700MHz-2.7GHz 4dBi OMNI ANTENNA W/ N-FEMALE CONNECTOR		
	PROJECTION 	COLOR VARIATIONS MAY OCCUR	SIZE A	FSCM NO. 43321	DWG. NO. HG72704U
		SCALE: NONE	CAD FILE: HG72704U.SLDDRW		SHEET 1 OF 1