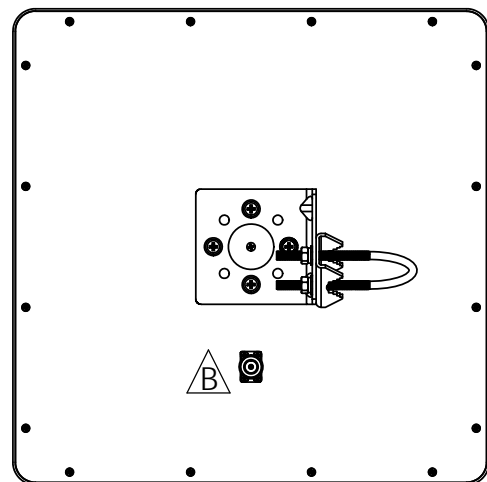
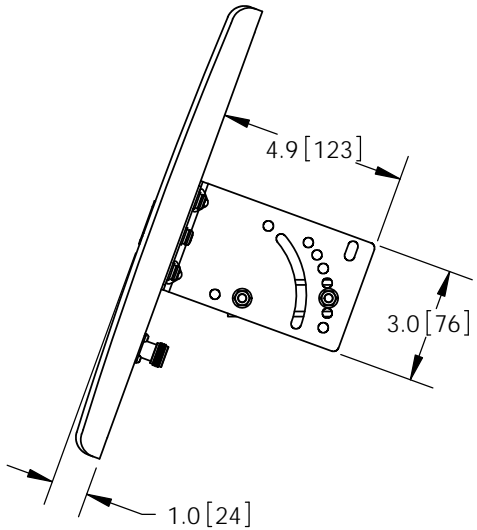
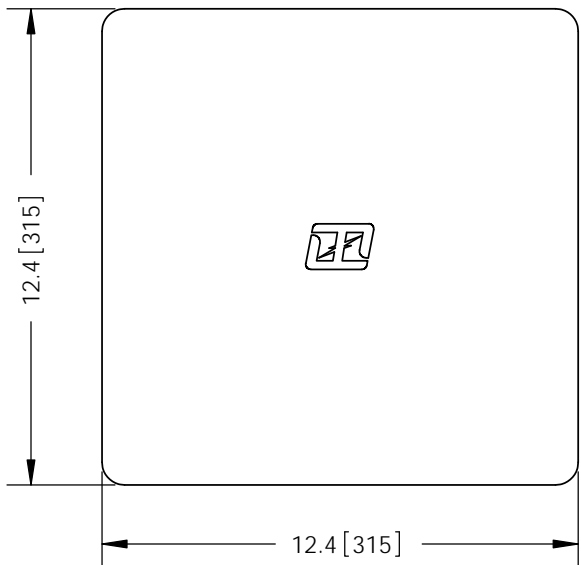
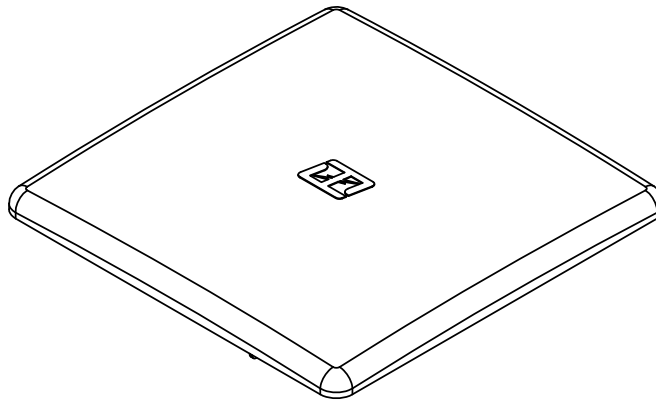
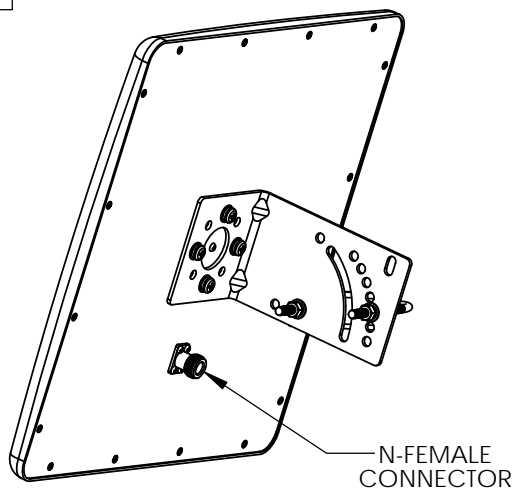


THE INFORMATION CONTAINED IN THIS DRAWING IS THE SOLE PROPERTY OF L-COM, INC. ANY REPRODUCTION IN PART OR WHOLE WITHOUT THE WRITTEN PERMISSION OF L-COM, INC. IS PROHIBITED.

REVISIONS			
REV	DESCRIPTION	DATE	APPROVED
A	INITIAL RELEASE	7/27/12	D. DESJARDIN
B	ECN# 6434 LOWER CONNECTOR LOC. ON BACK OF ANTENNA BY 3.125	09/27/12	B.PUCHASKI



RoHS Compliant ✓

NOTES:  
 PACKAGING:  
 COMPONENT SHALL BE PACKAGED IN ACCORDANCE WITH L-COM SPEC PKG-00028  
 -ALL DIMENSIONS FOR REFERENCE-

UNLESS OTHERWISE SPECIFIED, DIMENSIONS ARE IN INCHES [mm]  DIMENSIONAL TOLERANCES: .X = ±.1 .XX = ±.01 .XXX = ±.005  ANGULAR TOLERANCES: ALL = ± 1°	APPROVALS	DATE		45 BEECHWOOD DRIVE NORTH ANDOVER, MA 01845
	DRAWN BY B.PUCHASKI	07/27/12		
PROJECTION 	CHECKED BY T.VADEN	07/27/12	CATEGORY ANTENNA	
	APPROVED BY P.PESA	07/27/12	PRODUCT DESCRIPTION 824-960MHz 9dBi FLAT PANEL ANTENNA W/N-FEMALE CONNECTOR	
	COLOR VARIATIONS MAY OCCUR	SIZE <b>A</b>	FSCM NO. <b>43321</b>	DWG. NO. <b>HG8909P</b>
		SCALE: NONE	CAD FILE: HG8909P.SLDDRW	SHEET 1 OF 1