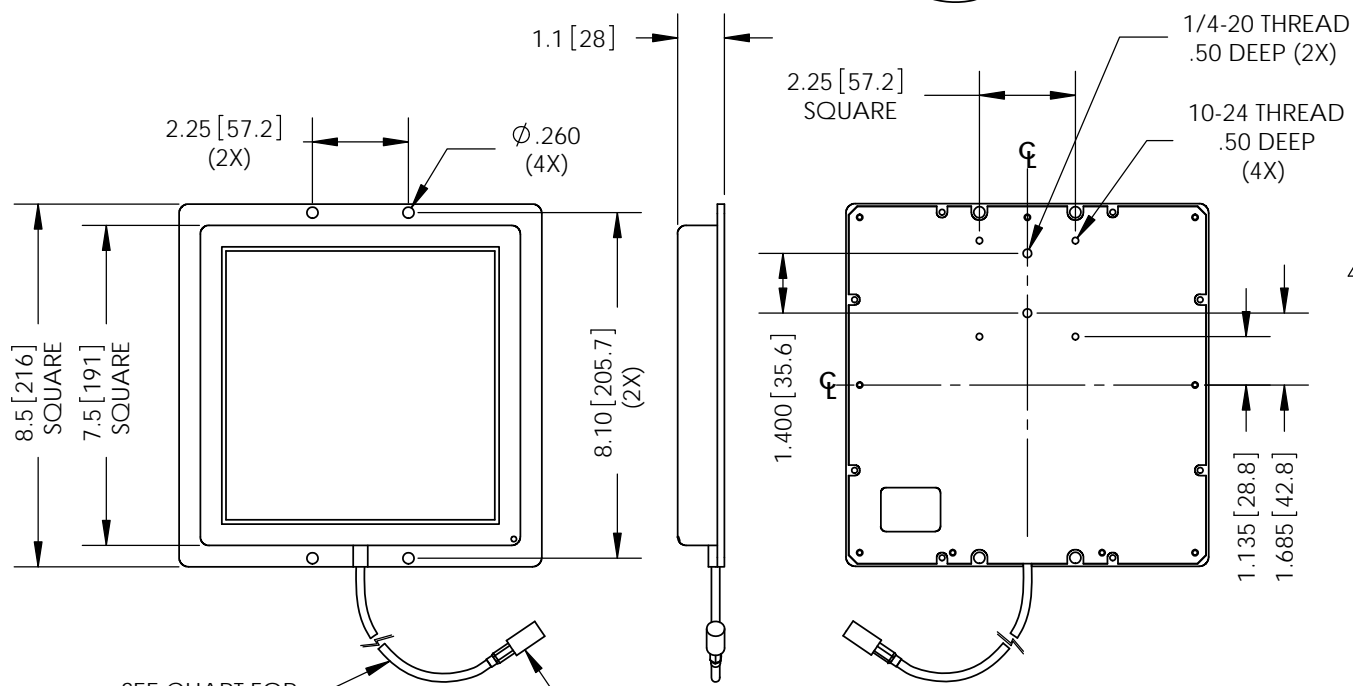


THE INFORMATION CONTAINED IN THIS DRAWING IS THE SOLE PROPERTY OF L-COM, INC. ANY REPRODUCTION IN PART OR WHOLE WITHOUT THE WRITTEN PERMISSION OF L-COM, INC. IS PROHIBITED.

| REVISIONS |   |          |            |
|-----------|---|----------|------------|
| REV       | DESCRIPTION                                     | DATE     | APPROVED   |
| A         | INITIAL RELEASE                                 | 11/07/11 | B.PUCHASKI |
| B         | ECN#6059 ADDED (2) CONNECTORS TO CHART          | 03/27/12 | B.PUCHASKI |
| C         | ECN#7997 ADDED CABLE LENGTHS TO CHART           | 06/26/15 | B.PUCHASKI |
| D         | ECN 8335 UPDATE CONNECTOR CHART WITH QPR AND QP | 05/17/16 | B.PUCHASKI |

| General Table<br>MODEL# HG908P- |                            |              |
|---------------------------------|----------------------------|--------------|
| SUFFIX                          | CONNECTOR TYPE             | CABLE LENGTH |
| NF                              | N-FEMALE                   | 12 INCH      |
| NM                              | N-MALE                     | 4 FEET       |
| RSP                             | RP SMA-PLUG                | 4 FEET       |
| RSJ                             | RP SMA-JACK                | 12 INCH      |
| RTP                             | RP TNC-PLUG                | 4 FEET       |
| RTJ                             | RP TNC-JACK                | 12 INCH      |
| RNP                             | RP N-PLUG                  | 4 FEET       |
| RNJ                             | RP N-JACK                  | 12 INCH      |
| SM                              | SMA MALE                   | 4 FEET       |
| SF                              | SMA FEMALE                 | 12 INCH      |
| TM                              | TNC MALE                   | 4 FEET       |
| TF                              | TNC FEMALE                 | 12 INCH      |
| BM                              | BNC MALE                   | 4 FEET       |
| RBP                             | RP BNC PLUG                | 4 FEET       |
| RBJ                             | RP BNC JACK                | 4 FEET       |
| WM                              | WAVE RIDER COMPATIBLE TYPE | 4 FEET       |
| QPR                             | QMA PLUG RIGHT ANGLE       | 4 FEET       |
| QP                              | QMA PLUG                   | 4 FEET       |
| FM                              | F-MALE                     | 12 INCH      |
| UM                              | UHF-MALE                   | 4 FEET       |



SEE CHART FOR CABLE LENGTH

SEE CHART FOR CONNECTOR TYPE

**NOTES:**  
 PACKAGING:  
 COMPONENT SHALL BE PACKAGED IN ACCORDANCE WITH L-COM SPEC PKG-00012

- ALL DIMENSIONS FOR REFERENCE ONLY -

**REGULATORY COMPLIANCE:**  
 CE2011/65/EU(RoHS DIRECTIVE)

|  |                        |                          |  |  |
|--|------------------------|--------------------------|--|--|
| UNLESS OTHERWISE SPECIFIED, DIMENSIONS ARE IN INCHES [mm]<br><br>DIMENSIONAL TOLERANCES:<br>.X = ±.1 [2.54]<br>.XX = ±.01 [.25]<br>.XXX = ±.005 [.13]<br><br>ANGULAR TOLERANCES:<br>ALL = ± 1° | APPROVALS              | DATE                     |  | 50 HIGH STREET<br>NORTH ANDOVER, MA<br>01845 |
|  | DRAWN BY<br>B.PUCHASKI | 11/07/11                 |  |  |
|  | CHECKED BY<br>P.PESA   | 11/07/11                 | CATEGORY   |  |
|  | APPROVED BY<br>P.PESA  | 11/07/11                 | ANTENNA  |  |
| CONFIGURATION DETAILS OF UNDIMENSIONED FEATURES MAY VARY   | PRODUCT DESCRIPTION    |                          | 900MHz 8dBi FLAT PANEL ANTENNA<br>W/ CONNECTOR PIGTAIL |  |
| COLOR VARIATIONS MAY OCCUR   | SIZE<br><b>A</b>       | FSCM NO.<br><b>43321</b> | DWG. NO.<br><b>HG908P</b>                              | REV.<br><b>D</b>                             |
| SCALE: NONE  |                        | CAD FILE: HG908P.SLDDRW  |  | SHEET 1 OF 1                                 |