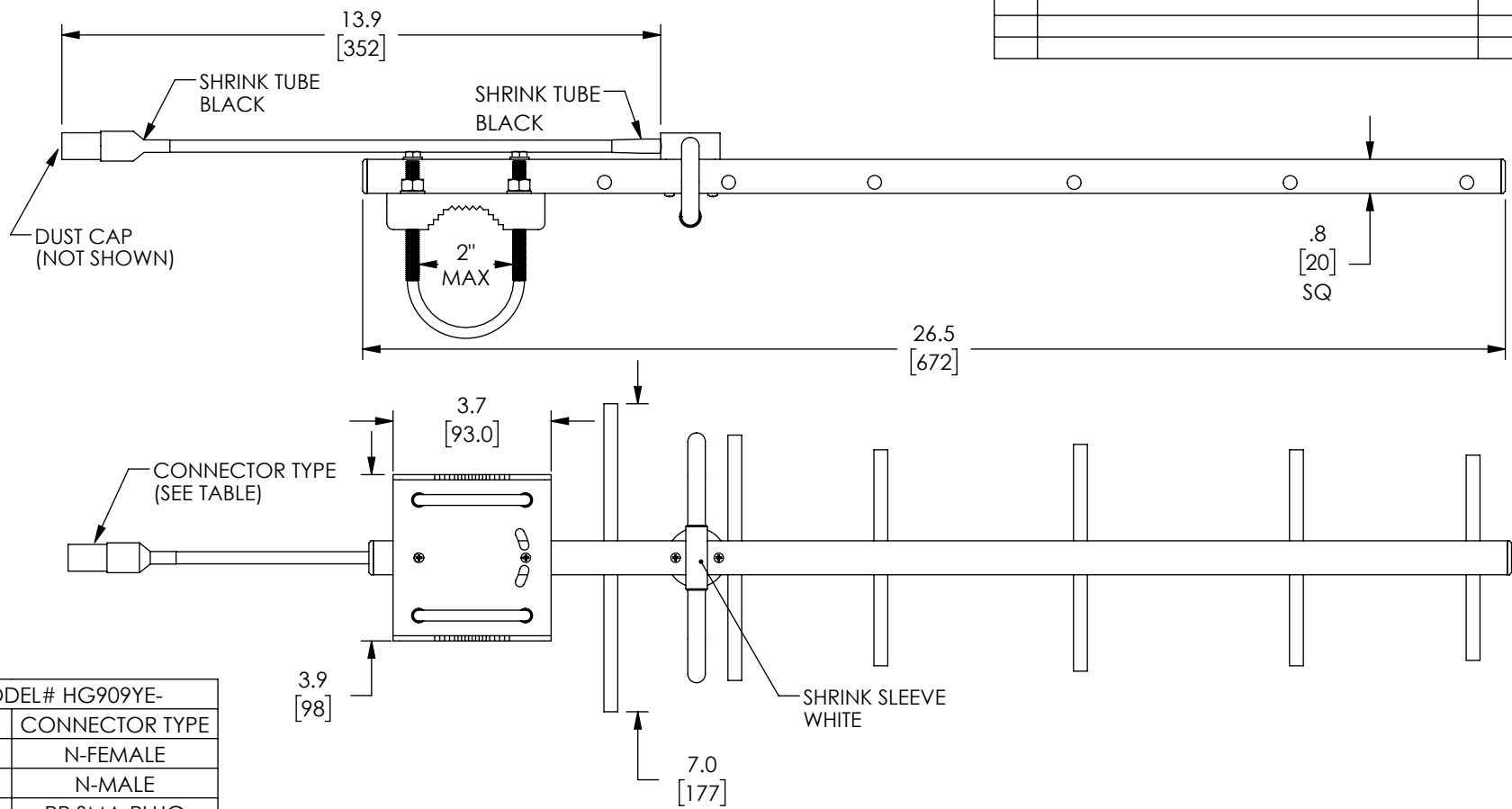


THE INFORMATION CONTAINED IN THIS DRAWING IS THE SOLE PROPERTY OF L-COM, INC. ANY REPRODUCTION IN PART OR WHOLE WITHOUT THE WRITTEN PERMISSION OF L-COM, INC. IS PROHIBITED.

REVISIONS			
REV	DESCRIPTION	DATE	APPROVED
E	ECN 11776 UPDATE DRAWING	04/05/2022	KHIETPAS



MODEL# HG909YE-	
SUFFIX	CONNECTOR TYPE
NF	N-FEMALE
NM	N-MALE
RSP	RP SMA-PLUG
RTP	RP TNC-PLUG
RSJ	RP SMA-JACK
RTJ	RP-TNC-JACK
RBP	RP BNC-PLUG
SM	SMA MALE
TM	TNC MALE
TF	TNC FEMALE


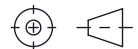
NOTES:

1, INDIVIDUALLY BOXED AND OEM LABEL PER PKG-00030/PKG-00021

-ALL DIMENSIONS FOR REFERENCE ONLY-

REGULATORY COMPLIANCE:

EU RoHS DIRECTIVE (MOST RECENT RELEASED VERSION)

UNLESS OTHERWISE SPECIFIED, DIMENSIONS ARE IN INCHES [mm] OVERALL CABLE LENGTH TOLERANCE: ≤12 [305] = +1 [25] / -0 >12 [305] ≤60 [1524] = +2 [51] / -0 >60 [1524] ≤120 [3048] = +4 [102] / -0 >120 [3048] ≤300 [7620] = +6 [152] / -0 >300 [7620] = +5% / -0 ALL OTHER DIMENSIONAL TOLERANCES: .X = ± .2 [5] FRACTIONS ± 1/32 .XX = ± .02 [5] ANGLES ± 1° .XXX = ± .005 [13]	APPROVALS	DATE	 50 High Street, West Mill, North Andover, MA 01845 USA. Phone: 1.800.341.5266 1.978.682.6936			
	DRAWN BY BPUCHASKI	03/29/2010		CATEGORY ANTENNA		
	CHECKED BY PPESA	03/30/2010	PRODUCT DESCRIPTION 900MHz 9dBi YAGI ANTENNA			
	APPROVED BY PPESA	03/30/2010		CONFIGURATION DETAILS OF UNDIMENSIONED FEATURES MAY VARY COLOR VARIATIONS MAY OCCUR	SIZE A	CAGE CODE 43321
THIRD-ANGLE PROJECTION 		SCALE: NONE CAD FILE: HG909YE.SLDDRW SHEET 1 OF 1				