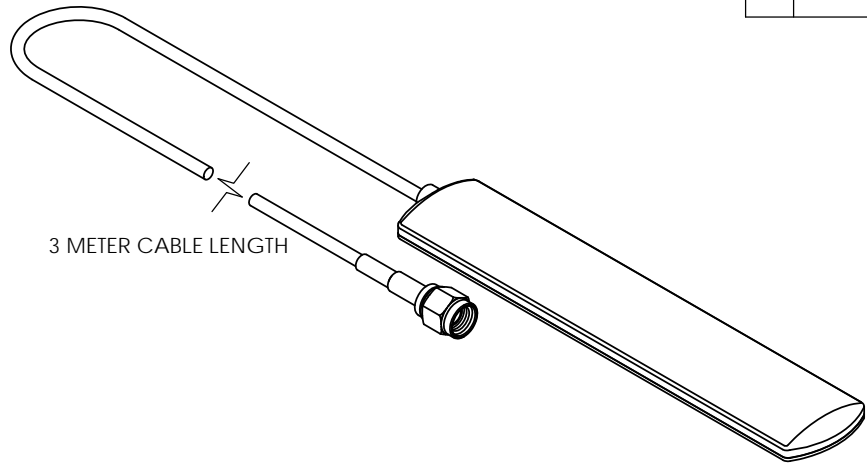
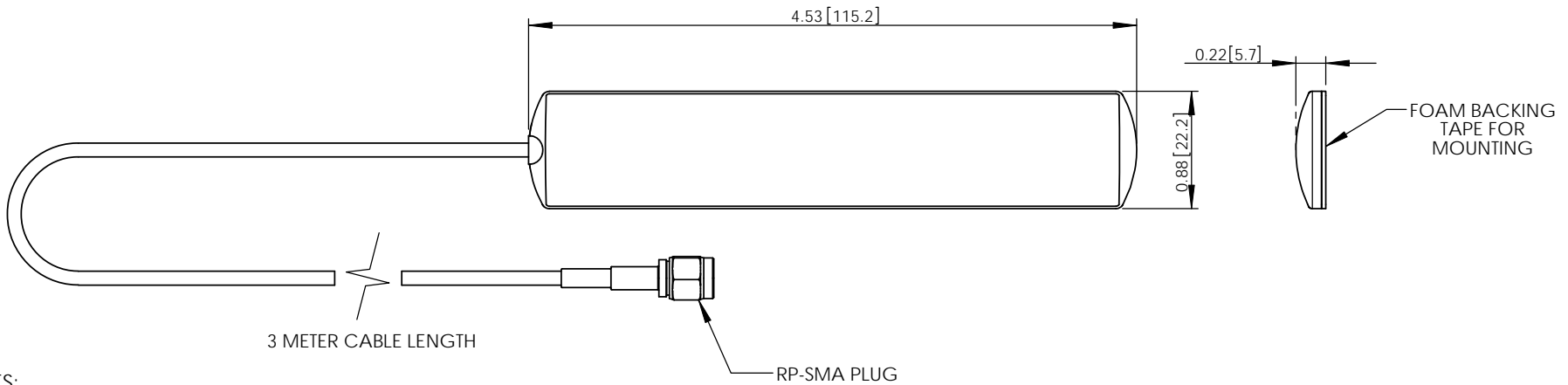


THE INFORMATION CONTAINED IN THIS DRAWING IS THE SOLE PROPERTY OF L-COM, INC. ANY REPRODUCTION IN PART OR WHOLE WITHOUT THE WRITTEN PERMISSION OF L-COM, INC. IS PROHIBITED.

REVISIONS			
REV	DESCRIPTION	DATE	APPROVED
A	Initial Release	09/29/10	B.Puchaski
-	-	-	-
-	-	-	-



3 METER CABLE LENGTH



3 METER CABLE LENGTH

RP-SMA PLUG

NOTES:
 ELECTRICAL:
 FREQUENCY RANGE: 824-960 MHz / 1710-2200 MHz / 2.4 GHz
 ELECTRIC WAVE: DIPOLE ANTENNA
 V.S.W.R. : <2
 IMPEDENCE: 50 Ohm, NOMINAL
 GAIN: 2dBi

PACKAGING:
 COMPONENT SHALL BE INDIVIDUALLY PACKAGED IN ACCORDANCE WITH L-COM SPECIFICATION PKG-00012

BAG LABEL AS PER L-COM SPECIFICATION LSP-010

UNLESS OTHERWISE SPECIFIED, DIMENSIONS ARE IN INCHES [mm]	APPROVALS	DATE		45 BEECHWOOD DRIVE NORTH ANDOVER, MA 01845	
	DRAWN BY B.Puchaski	09/29/10			
	DIMENSIONAL TOLERANCES: .X = ±.1 .XX = ±.01 .XXX = ±.005	CHECKED BY K.Blomgren	09/29/10	CATEGORY ANTENNA	
	ANGULAR TOLERANCES: ALL = ± 1°	APPROVED BY K.Blomgren	09/29/10	PRODUCT DESCRIPTION Antenna, Tri-Band Patch, RP SMA Plug	
PROJECTION 	COLOR VARIATIONS MAY OCCUR	SIZE A	FSCM NO. 43321	DWG. NO. HG924-2TP-RSP	REV. A
		SCALE: NONE	CAD FILE: HG924-2TP-RSP.SLDDRW		SHEET 1 OF 1