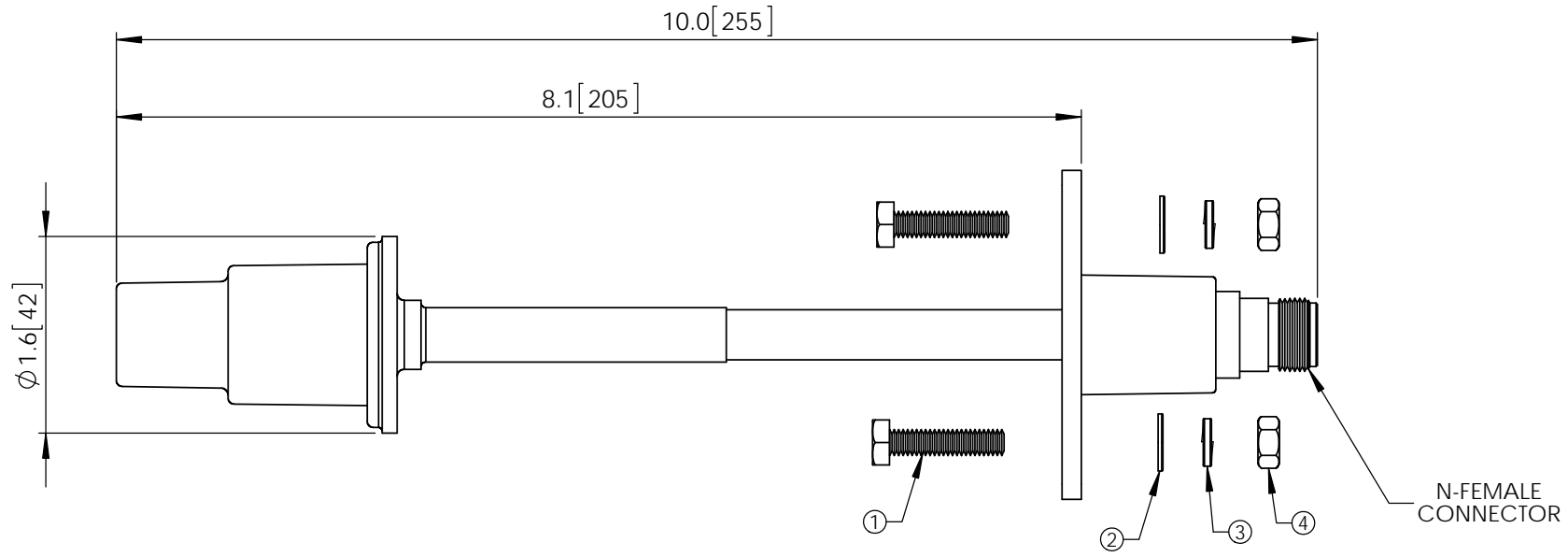
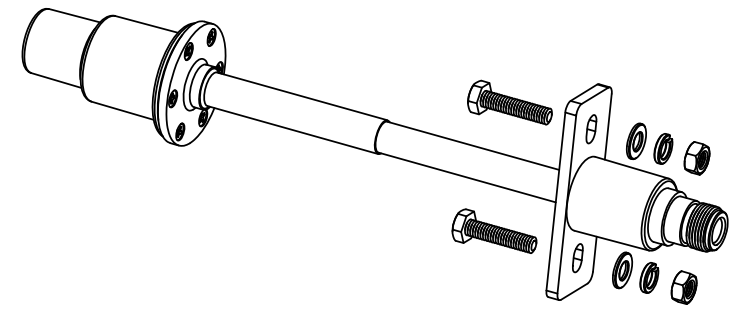


THE INFORMATION CONTAINED IN THIS DRAWING IS THE SOLE PROPERTY OF L-COM, INC. ANY REPRODUCTION IN PART OR WHOLE WITHOUT THE WRITTEN PERMISSION OF L-COM, INC. IS PROHIBITED.

| REVISIONS |                              |          |            |
|-----------|------------------------------|----------|------------|
| REV       | DESCRIPTION                  | DATE     | APPROVED   |
| A         | INITIAL RELEASE              | 8/20/13  | D.GRIFFIN  |
| B         | ECN7844 ADDED HARDWARE CHART | 03/24/15 | B.PUCHASKI |
|           |                              |          |            |

| HARDWARE SUPPLIED |                        |          |
|-------------------|------------------------|----------|
| PART#             | DESCRIPTION            | QUANTITY |
| 1                 | M6 X 25 SS304 HEX BOLT | 2        |
| 2                 | M6 SS304 FLAT WASHER   | 2        |
| 3                 | M6 SS304 LOCK WASHER   | 2        |
| 4                 | M6 SS304 HEX NUT       | 2        |



**NOTES:**  
 PACKAGING:  
 COMPONENT SHALL BE PACKAGED IN ACCORDANCE WITH L-COM SPEC PKG-00012.

- ALL DIMENSIONS FOR REFERENCE ONLY -

**REGULATORY COMPLIANCE:**  
 CE2011/65/EU(RoHS DIRECTIVE)

|  |  |                        |   |  |
|--|--|------------------------|---|--|
| UNLESS OTHERWISE SPECIFIED, DIMENSIONS ARE IN INCHES [mm]                            | APPROVALS  | DATE                   |   | 45 BEECHWOOD DRIVE<br>NORTH ANDOVER, MA<br>01845 |
|  | DRAWN BY<br>B.PUCHASKI                                   | 08/01/13               |   |  |
| DIMENSIONAL TOLERANCES:<br>.X = ±.1 [2.54]<br>.XX = ±.01 [.25]<br>.XXX = ±.005 [.13] | CHECKED BY<br>P.PESA                                     | 08/01/13               | CATEGORY<br>ANTENNA   |  |
|  | APPROVED BY<br>P.PESA                                    | 08/01/13               | PRODUCT DESCRIPTION<br>ANTENNA FEEDHORN REPLACEMENT<br>5GHz 22dBi |  |
| ANGULAR TOLERANCES:<br>ALL = ± 1°  | CONFIGURATION DETAILS OF UNDIMENSIONED FEATURES MAY VARY |                        | SIZE<br><b>A</b>  | FSCM NO.<br><b>43321</b>                         |
| PROJECTION<br>   | COLOR VARIATIONS MAY OCCUR                               | DWG. NO.<br>HGFH-522EG | REV.<br><b>B</b>  | SCALE: NONE                                      |
|  |  |                        | CAD FILE: HGFH-522EG.SLDDRW                                       | SHEET 1 OF 1                                     |