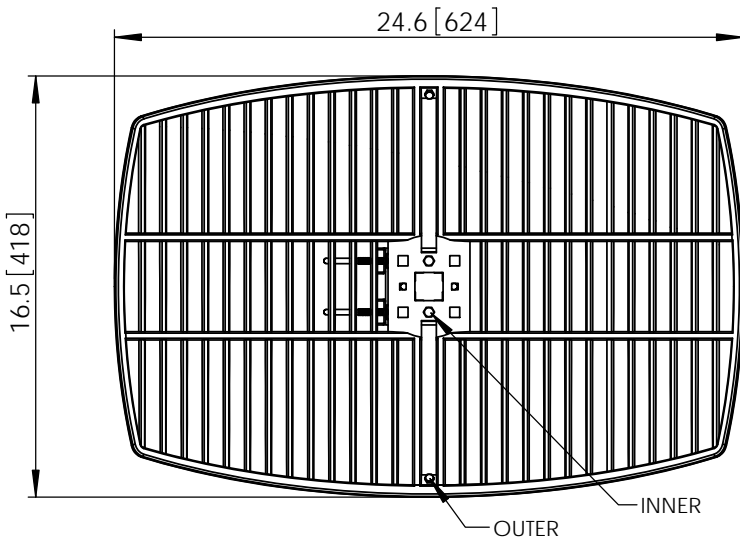
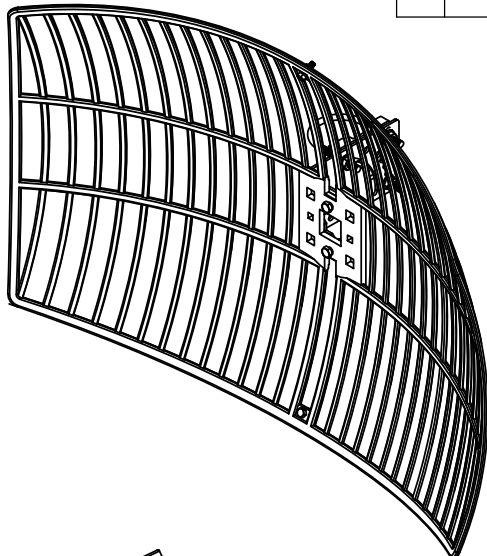
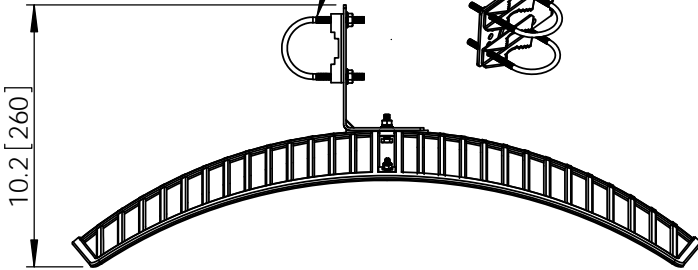


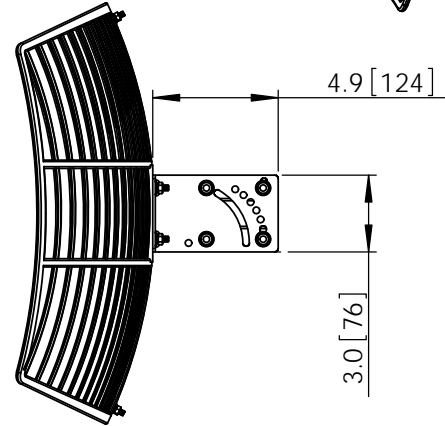
THE INFORMATION CONTAINED IN THIS DRAWING IS THE SOLE PROPERTY OF L-COM, INC. ANY REPRODUCTION IN PART OR WHOLE WITHOUT THE WRITTEN PERMISSION OF L-COM, INC. IS PROHIBITED.

REVISIONS			
REV	DESCRIPTION	DATE	APPROVED
A	INITIAL RELEASE	07/18/12	D.GRIFFIN
B	ECN 7568 ADD PART DETAIL CHARTS	08/28/14	B.PUCHASKI

U-BOLT WITH TILT BRACKET FOR 2 INCH POLE MOUNTING



GRID ASSEMBLY PARTS	
2	HALF GRID SECTION
2	OUTER HEX MACHINE BOLT
2	OUTER LOCK WASHER
2	OUTER WASHER
2	OUTER HEX NUT
2	INNER HEX MACHINE BOLT
2	INNER LOCK WASHER
2	INNER WASHER
2	INNER HEX NUT



TILT BRACKET ASSEMBLY PARTS	
1	TILT BRACKET
2	U-BOLT FOR 2INCH POLE
4	LOCK WASHER
4	WASHER
4	HEX NUT

NOTES:
 PACKAGING:
 COMPONENT SHALL BE PACKAGED IN ACCORDANCE WITH L-COM SPEC PKG-0012

- ALL DIMENSIONS ARE FOR REFERENCE ONLY -

REGULATORY COMPLIANCE:
 CE2011/65/EU(RoHS DIRECTIVE)

UNLESS OTHERWISE SPECIFIED, DIMENSIONS ARE IN INCHES [mm]	APPROVALS	DATE		45 BEECHWOOD DRIVE NORTH ANDOVER, MA 01845
	DRAWN BY B.PUCHASKI	07/18/12		
DIMENSIONAL TOLERANCES: .X = ±.1 [2.54] .XX = ±.01 [.25] .XXX = ±.005 [.13]	CHECKED BY P.PESA	07/18/12	CATEGORY ANTENNA	
	APPROVED BY P.PESA	07/18/12	PRODUCT DESCRIPTION 400 X 600mm GRID W/ HARDWARE KIT	
ANGULAR TOLERANCES: ALL = ± 1°	CONFIGURATION DETAILS OF UNDIMENSIONED FEATURES MAY VARY		SIZE A	FSCM NO. 43321
PROJECTION 	COLOR VARIATIONS MAY OCCUR		DWG. NO. HGGH-06	REV. B
SCALE: NONE			CAD FILE: HGGH-06.SLDDRW	
				SHEET 1 OF 1