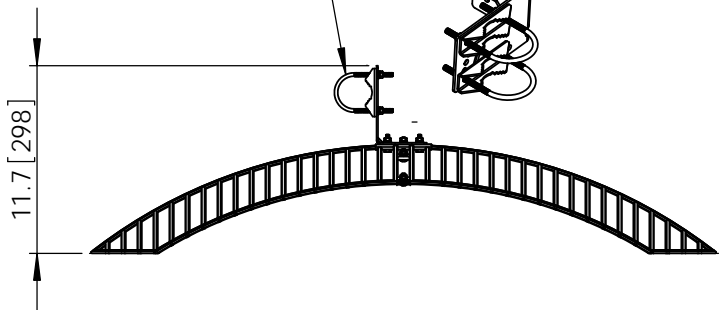


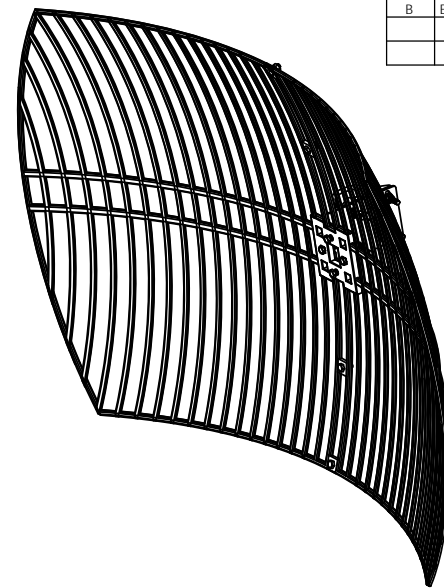
THE INFORMATION CONTAINED IN THIS DRAWING IS THE SOLE PROPERTY OF L-COM, INC. ANY REPRODUCTION IN PART OR WHOLE WITHOUT THE WRITTEN PERMISSION OF L-COM, INC. IS PROHIBITED.

REVISIONS			
REV	DESCRIPTION	DATE	APPROVED
A	INITIAL RELEASE	07/18/12	D.GRIFFIN
B	ECN 7568 ADD PART DETAIL CHARTS	08/28/14	B.PCHASKI

U-BOLT WITH TILT BRACKET FOR 2 INCH POLE MOUNTING

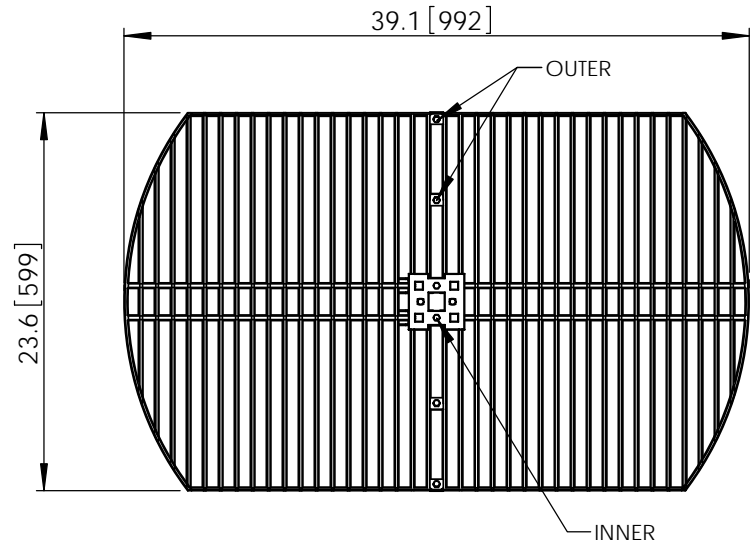


11.7 [298]



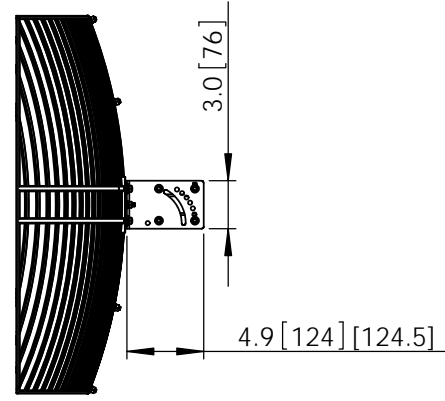
GRID ASSEMBLY PARTS	
2	HALF GRID SECTION
4	OUTER HEX MACHINE BOLT
4	OUTER LOCK WASHER
4	OUTER WASHER
4	OUTER HEX NUT
2	INNER HEX MACHINE BOLT
2	INNER LOCK WASHER
2	INNER WASHER
2	INNER HEX NUT

TILT BRACKET ASSEMBLY PARTS	
1	TILT BRACKET
2	U-BOLT FOR 2INCH POLE
4	LOCK WASHER
4	WASHER
4	HEX NUT



39.1 [992]

23.6 [599]



3.0 [76]

4.9 [124] [124.5]

**NOTES:**  
**PACKAGING:**  
 COMPONENT SHALL BE PACKAGED IN ACCORDANCE WITH L-COM SPEC PKG-0012

- ALL DIMENSIONS FOR REFERENCE -

**REGULATORY COMPLIANCE:**  
 CE2011/65/EU(RoHS DIRECTIVE)

UNLESS OTHERWISE SPECIFIED, DIMENSIONS ARE IN INCHES [mm]  DIMENSIONAL TOLERANCES: .X = ±.1 [2.54] .XX = ±.01 [.25] .XXX = ±.005 [.13]  ANGULAR TOLERANCES: ALL = ± 1°	APPROVALS	DATE		45 BEECHWOOD DRIVE NORTH ANDOVER, MA 01845
	DRAWN BY B.PUCHASKI	07/18/12		
PROJECTION 	CHECKED BY P.PESA	07/18/12	CATEGORY ANTENNA	
	APPROVED BY P.PESA	07/18/12	PRODUCT DESCRIPTION 600 X 1000mm GRID W/ HARDWARE KIT	
COLOR VARIATIONS MAY OCCUR	SIZE <b>A</b>	FSCM NO. <b>43321</b>	DWG. NO. <b>HGGH-10</b>	REV. <b>B</b>
SCALE: NONE		CAD FILE: HGGH-10.SLDDRW		SHEET 1 OF 1