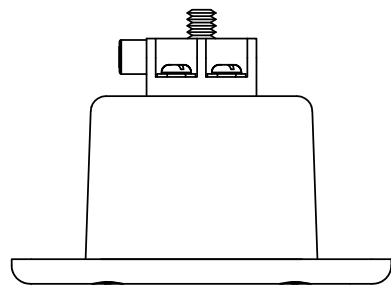
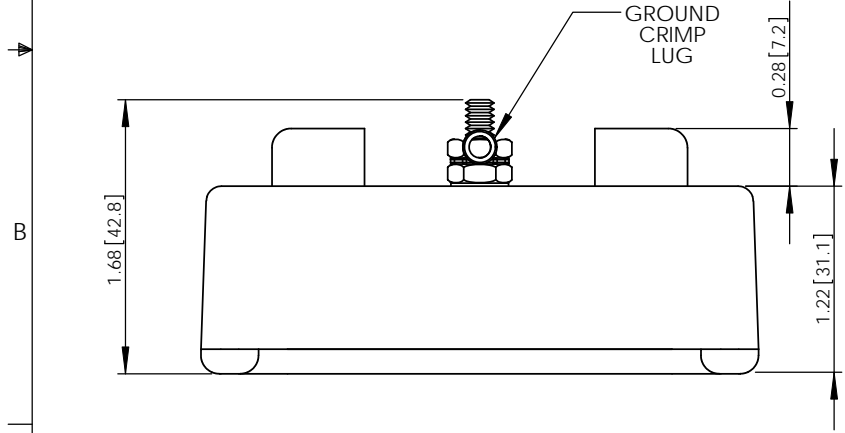
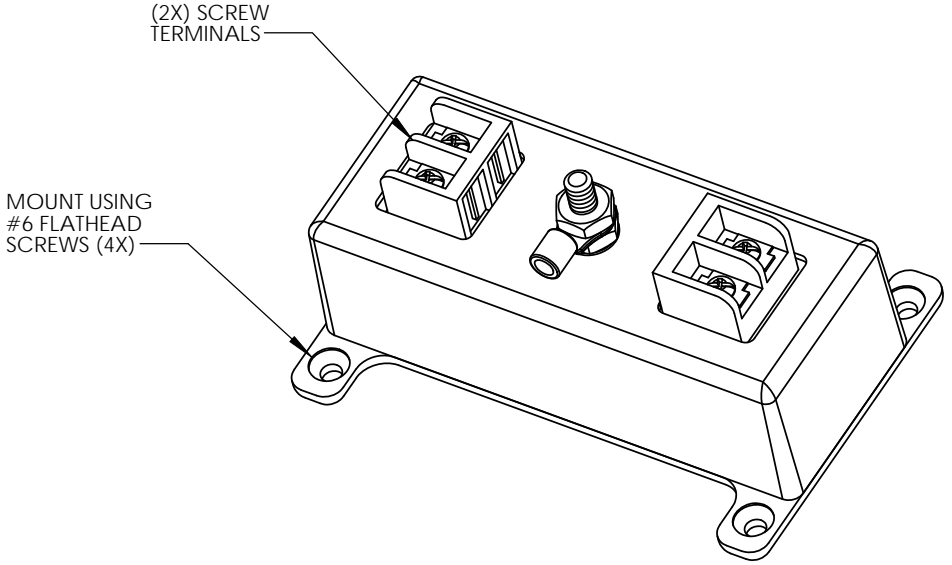
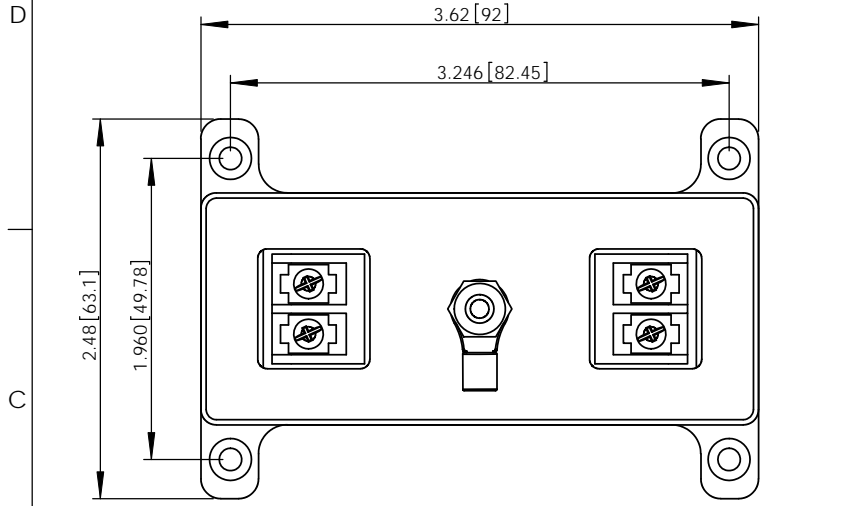


THE INFORMATION CONTAINED IN THIS DRAWING IS THE SOLE PROPERTY OF L-COM, INC. ANY REPRODUCTION IN PART OR WHOLE WITHOUT THE WRITTEN PERMISSION OF L-COM, INC. IS PROHIBITED.

REVISIONS			
REV	DESCRIPTION	DATE	APPROVED
A	Initial Release	03/10/11	B.Puchaski
-	-	-	-
-	-	-	-



NOTES:
 COMPONENT ASSEMBLY SHALL BE INDIVIDUALLY PACKAGED IN ACCORDANCE WITH L-COM SPECIFICATION PKG-00012

RoHS Compliant

UNLESS OTHERWISE SPECIFIED, DIMENSIONS ARE IN INCHES [mm] DIMENSIONAL TOLERANCES: .X = ±.1 .XX = ±.01 .XXX = ±.005 ANGULAR TOLERANCES: ALL = ± 1°	APPROVALS DRAWN BY B.Puchaski	DATE 03/10/11		45 BEECHWOOD DRIVE NORTH ANDOVER, MA 01845	
	CHECKED BY K.Burgner	03/10/11		CATEGORY LIGHTNING PROTECTORS	
	APPROVED BY K.Burgner	03/10/11	PRODUCT DESCRIPTION LP Indoor, 1-Line, DSL/TEL		
PROJECTION 	COLOR VARIATIONS MAY OCCUR	SIZE A	FSCM NO. 43321	DWG. NO. HGLN-D1-DT	REV. A
		SCALE: NONE	CAD FILE: HGLN-D1-DT.SLDDRW		SHEET 1 OF 1