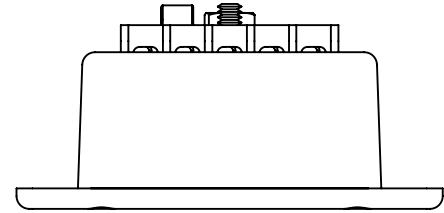
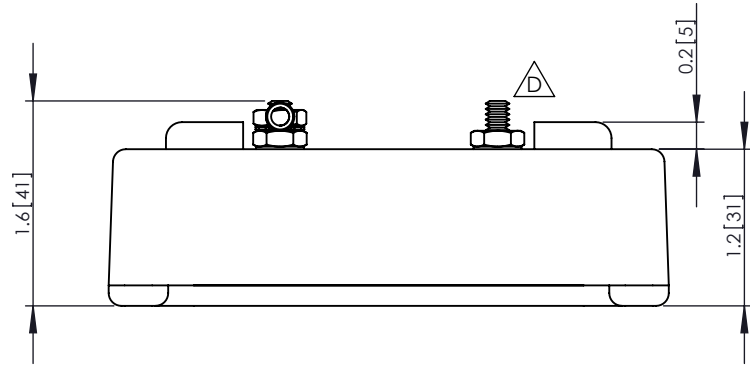
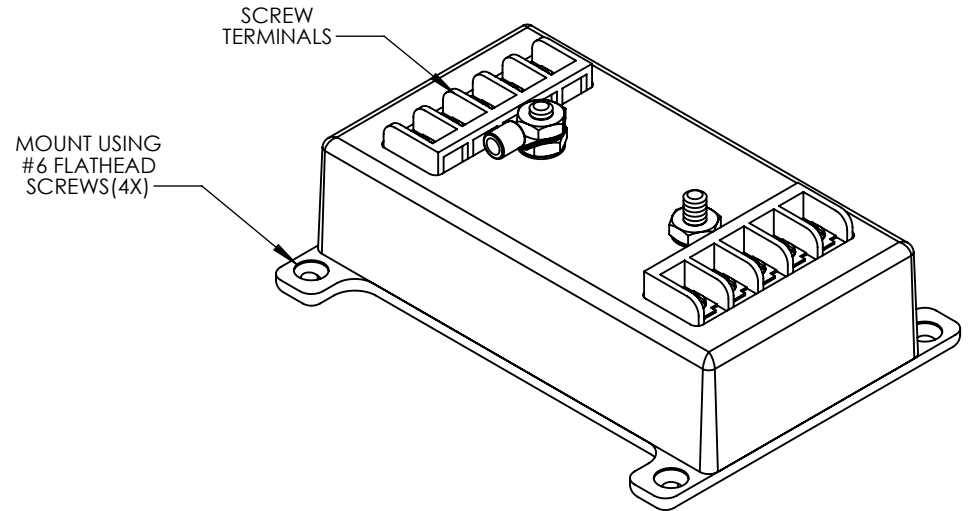
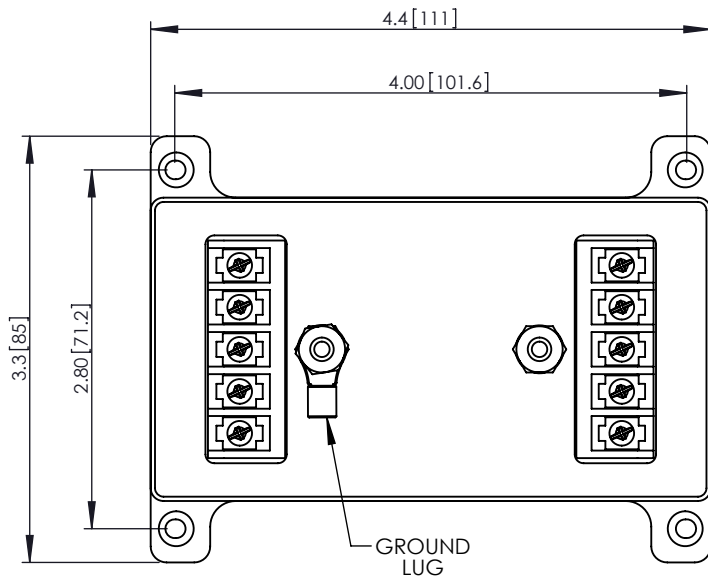


THE INFORMATION CONTAINED IN THIS DRAWING IS THE SOLE PROPERTY OF L-COM, INC. ANY REPRODUCTION IN PART OR WHOLE WITHOUT THE WRITTEN PERMISSION OF L-COM, INC. IS PROHIBITED.

REVISIONS			
REV	DESCRIPTION	DATE	APPROVED
A	INITIAL RELEASE	03/15/2011	BPUCHASKI
B	ECN 6754 ADD GROUND LUGS	03/22/2013	BPUCHASKI
C	ECN 8822 REMOVE 1 GROUND LUG	06/15/2017	BPUCHASKI
D	ECN 9698: HEX NUT REMOVED FROM QTY COUNT IN BOM	02/18/2019	DZINN



NOTES:

COMPONENT ASSEMBLY SHALL BE INDIVIDUALLY PACKAGED IN ACCORDANCE WITH L-COM SPECIFICATION PKG-00012

- ALL DIMENSIONS FOR REFERENCE -

UNLESS OTHERWISE SPECIFIED, DIMENSIONS ARE IN INCHES [mm] OVERALL CABLE LENGTH TOLERANCE: ≤12 [305] = +1 [25] / -0 >12 [305] ≤60 [1524] = +2 [51] / -0 >60 [1524] ≤120 [3048] = +4 [102] / -0 >120 [3048] ≤300 [7620] = +6 [152] / -0 >300 [7620] = +5% / -0%	APPROVALS	DATE	50 HIGH STREET NORTH ANDOVER, MA 01845	
	DRAWN BY BPUCHASKI	03/15/2011		
ALL OTHER DIMENSIONAL TOLERANCES: .X = ± .2 [5.08] .XX = ± .02 [51] .XXX = ±.005 [1.3]	CHECKED BY BPUCHASKI	03/15/2011	CATEGORY	
	APPROVED BY BPUCHASKI	03/15/2011	LIGHTNING PROTECTOR	
PROJECTION 	CONFIGURATION DETAILS OF UNDIMENSIONED FEATURES MAY VARY		PRODUCT DESCRIPTION	
COLOR VARIATIONS MAY OCCUR	SIZE A	FSCM NO. 43321	LP INDOOR, 2-PAIR, RS-422/485	
	DWG. NO. HGLN-D2-05	REV. D	SCALE: NONE CAD FILE: HGLN-D2-05.SLDDRW SHEET 1 OF 1	