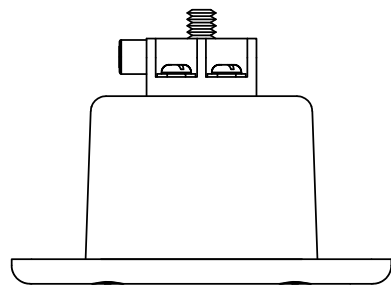
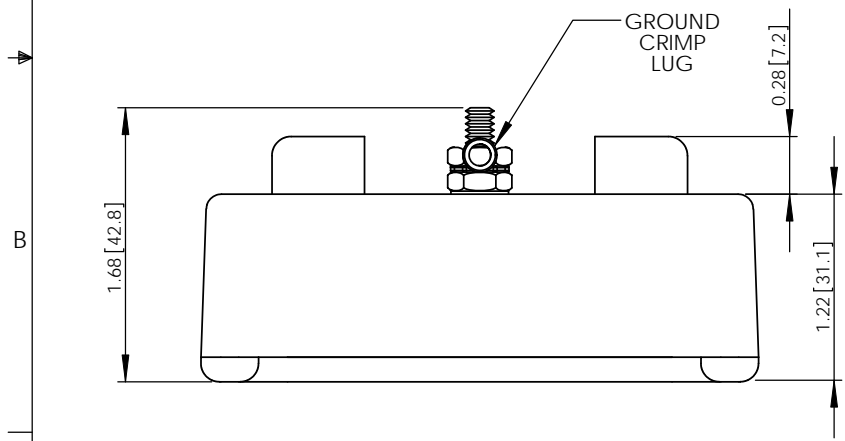
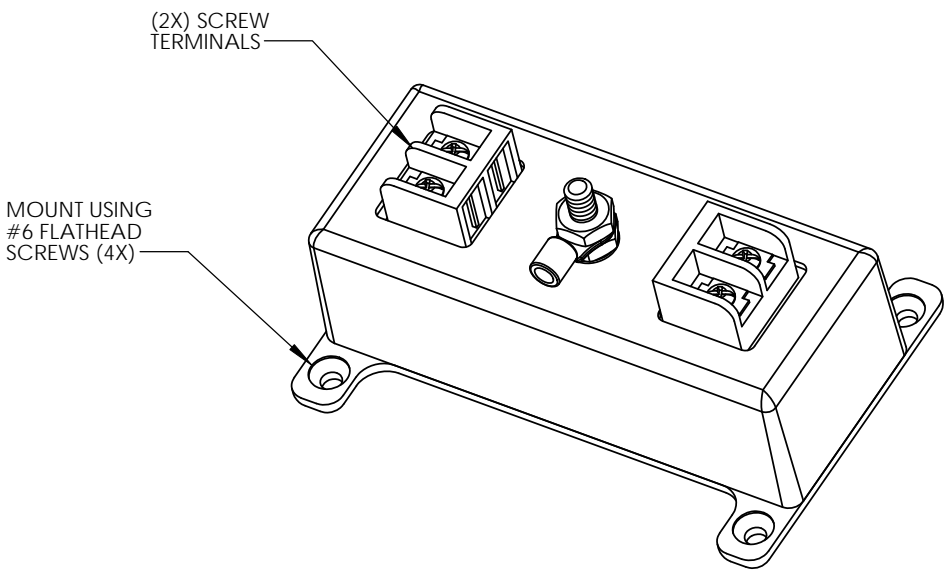
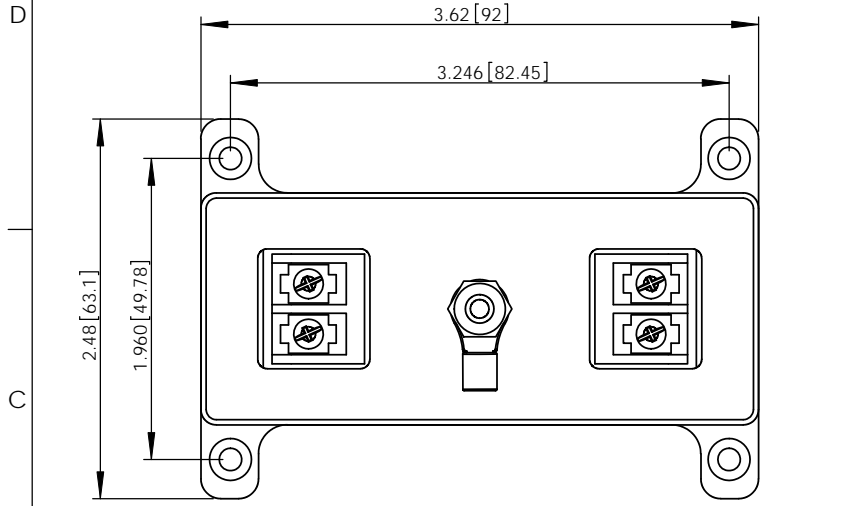


THE INFORMATION CONTAINED IN THIS DRAWING IS THE SOLE PROPERTY OF L-COM, INC. ANY REPRODUCTION IN PART OR WHOLE WITHOUT THE WRITTEN PERMISSION OF L-COM, INC. IS PROHIBITED.

REVISIONS			
REV	DESCRIPTION	DATE	APPROVED
A	Initial Release	03/10/11	B.Puchaski
-	-	-	-
-	-	-	-



NOTES:
COMPONENT ASSEMBLY SHALL BE INDIVIDUALLY PACKAGED IN ACCORDANCE WITH L-COM SPECIFICATION PKG-00012

RoHS Compliant

UNLESS OTHERWISE SPECIFIED, DIMENSIONS ARE IN INCHES [mm] DIMENSIONAL TOLERANCES: .X = ±.1 .XX = ±.01 .XXX = ±.005 ANGULAR TOLERANCES: ALL = ± 1°	APPROVALS	DATE		45 BEECHWOOD DRIVE NORTH ANDOVER, MA 01845
	DRAWN BY B.Puchaski	03/10/11		
PROJECTION 	CHECKED BY K.Burgner	03/10/11	CATEGORY LIGHTNING PROTECTORS	
	APPROVED BY K.Burgner	03/10/11	PRODUCT DESCRIPTION LP Indoor, 1-Line, DC Power, 12 VDC	
	COLOR VARIATIONS MAY OCCUR	SIZE A	FSCM NO. 43321	DWG. NO. HGLN-DC-12
		SCALE: NONE	CAD FILE: HGLN-DC-12.SLDDRW	SHEET 1 OF 1