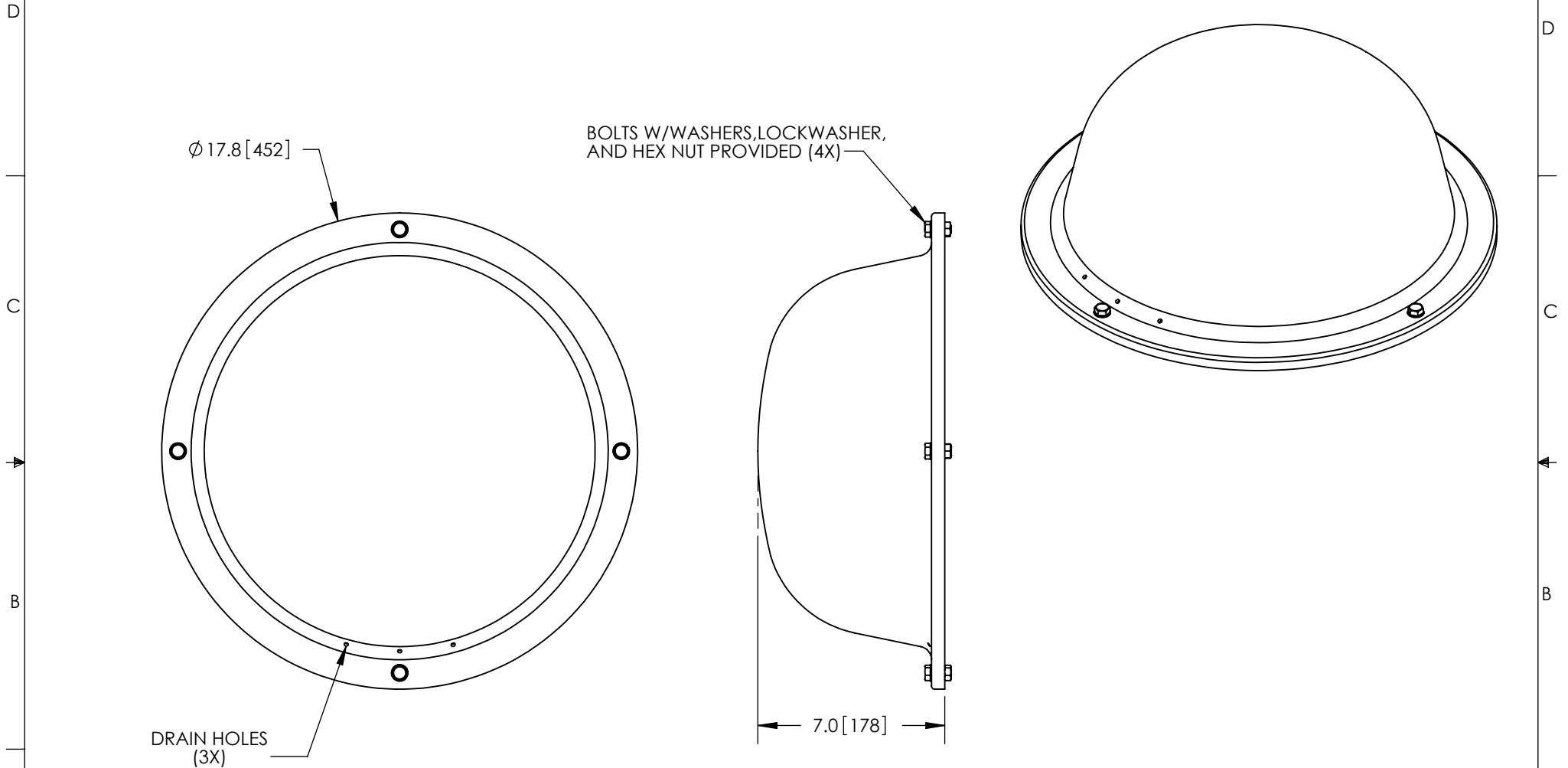



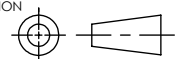
THE INFORMATION CONTAINED IN THIS DRAWING IS THE SOLE PROPERTY OF L-COM, INC. ANY REPRODUCTION IN PART OR WHOLE WITHOUT THE WRITTEN PERMISSION OF L-COM, INC. IS PROHIBITED.

| REVISIONS | | | |
|-----------|-----------------|--------|-----------|
| REV | DESCRIPTION | DATE | APPROVED |
| A | INITIAL RELEASE | 1/3/12 | D.GRIFFIN |
| | | | |
| | | | |



NOTES:
 PACKAGING:
 COMPONENT SHALL BE PACKAGED IN ACCORDANCE WITH L-COM SPEC PKG-00026
 - ALL DIMENSIONS FOR REFERENCE -

RoHS Compliant ✓

| | | | | |
|---|--|----------------------------|--|---|
| UNLESS OTHERWISE SPECIFIED, DIMENSIONS ARE IN INCHES [mm] DIMENSIONAL TOLERANCES: .X = ±.1 .XX = ±.01 .XXX = ±.005 ANGULAR TOLERANCES: ALL = ± 1° | APPROVALS | DATE |  45 BEECHWOOD DRIVE NORTH ANDOVER, MA 01845 | |
| | DRAWN BY B.PUCHASKI | 12/29/11 | | CATEGORY ANTENNA |
| | CHECKED BY P.PESA | 12/29/11 | | PRODUCT DESCRIPTION 400mm DIAMETER RADOME COVER FOR PARABOLIC DISH ANTENNA |
| | APPROVED BY P.PESA | 12/29/11 | | |
| PROJECTION  | CONFIGURATION DETAILS OF UNDIMENSIONED FEATURES MAY VARY | COLOR VARIATIONS MAY OCCUR | SCALE: NONE CAD FILE: HGR-04.SLDDRW SHEET 1 OF 1 SIZE A FSCM NO. 43321 DWG. NO. HGR-04 REV. A | |