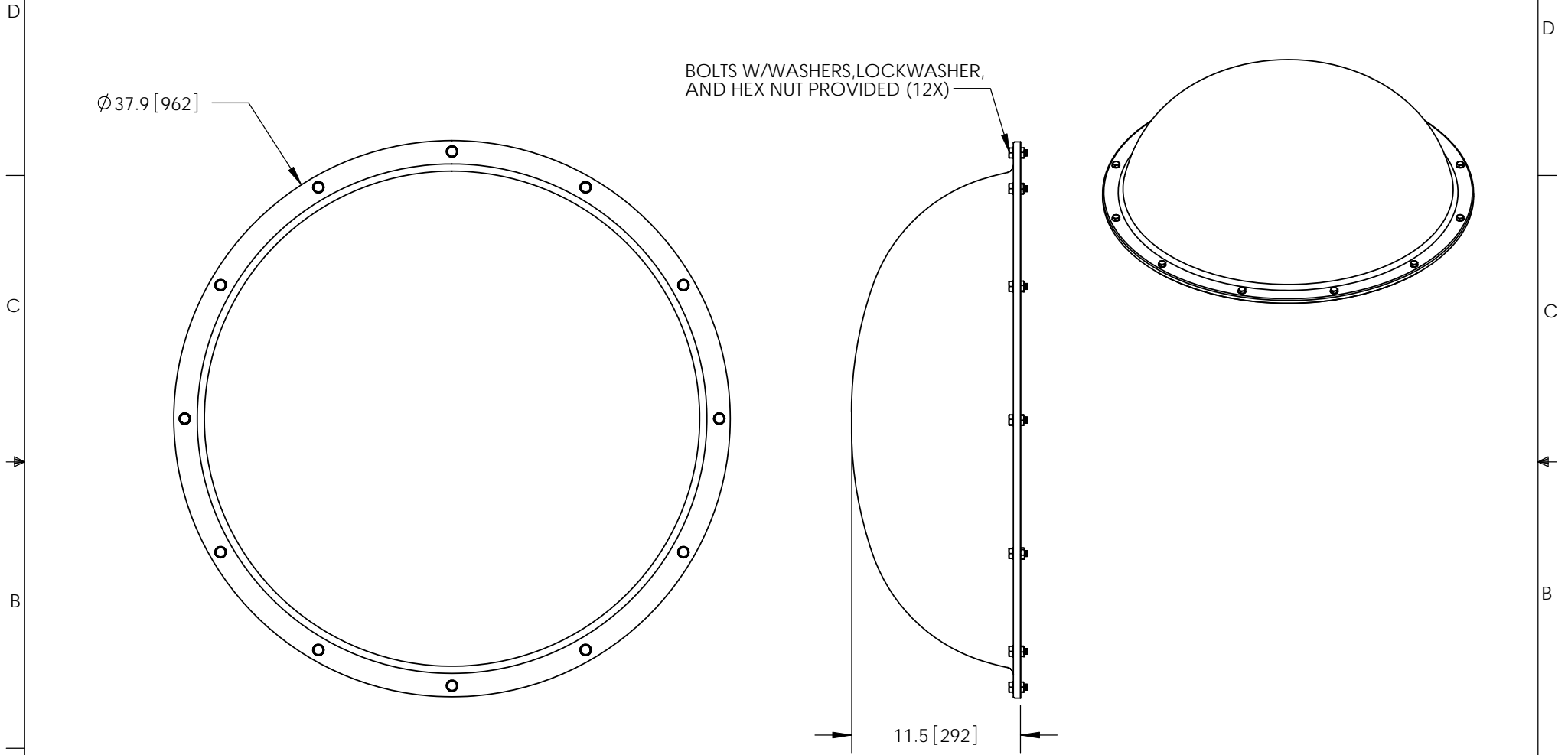


THE INFORMATION CONTAINED IN THIS DRAWING IS THE SOLE PROPERTY OF L-COM, INC. ANY REPRODUCTION IN PART OR WHOLE WITHOUT THE WRITTEN PERMISSION OF L-COM, INC. IS PROHIBITED.

REVISIONS			
REV	DESCRIPTION	DATE	APPROVED
A	INITIAL RELEASE	07/14/11	B.PUCHASKI




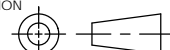
BOLTS W/WASHERS, LOCKWASHER, AND HEX NUT PROVIDED (12X)

Ø 37.9 [962]

11.5 [292]

RoHS Compliant ✓

NOTES:
 PACKAGING:
 COMPONENT SHALL BE PACKAGED IN ACCORDANCE
 WITH L-COM SPEC PKG-00026

UNLESS OTHERWISE SPECIFIED, DIMENSIONS ARE IN INCHES [mm] DIMENSIONAL TOLERANCES: .X = ±.1 .XX = ±.01 .XXX = ±.005 ANGULAR TOLERANCES: ALL = ± 1°	APPROVALS	DATE	 45 BEECHWOOD DRIVE NORTH ANDOVER, MA 01845		
	DRAWN BY B.PUCHASKI	07/14/11			
	CHECKED BY T. VADEN	07/14/11			
	APPROVED BY P.PESA	07/14/11	CATEGORY ANTENNA		
	CONFIGURATION DETAILS OF UNDIMENSIONED FEATURES MAY VARY	PRODUCT DESCRIPTION 900mm DIAMETER RADOME COVER FOR PARABOLIC DISH ANTENNA			
PROJECTION 	COLOR VARIATIONS MAY OCCUR	SIZE A	FSCM NO. 43321	DWG. NO. HGR-09	REV. A
		SCALE: NONE	CAD FILE: HGR-09.SLDDRW	SHEET 1 OF 1	