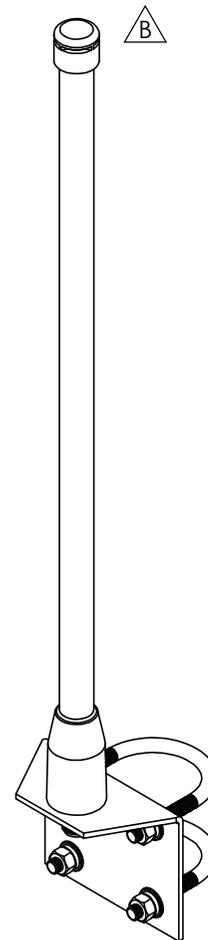
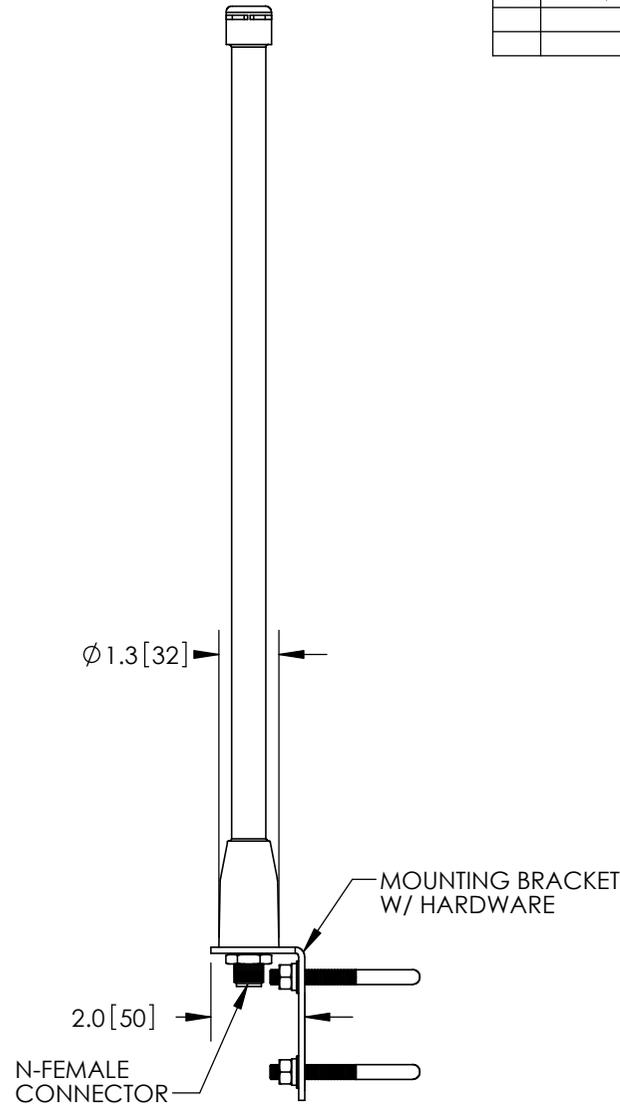
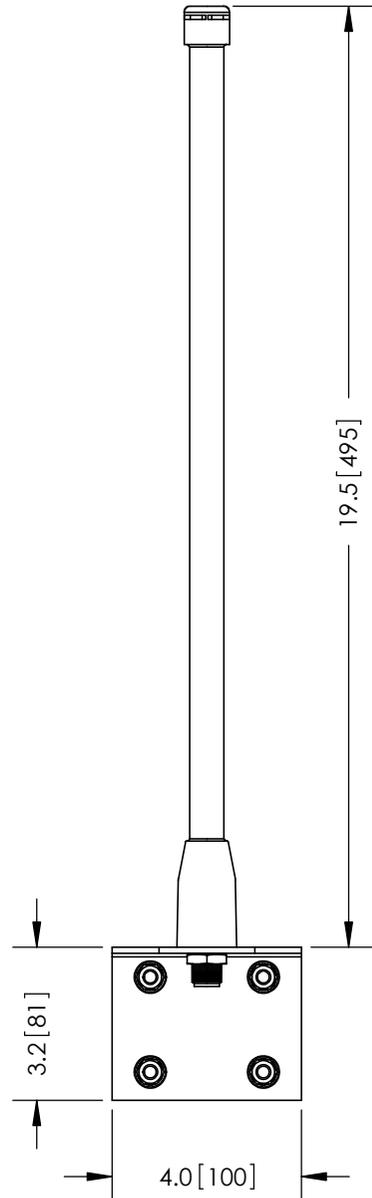


THE INFORMATION CONTAINED IN THIS DRAWING IS THE SOLE PROPERTY OF L-COM, INC. ANY REPRODUCTION IN PART OR WHOLE WITHOUT THE WRITTEN PERMISSION OF L-COM, INC. IS PROHIBITED.

REVISIONS			
REV	DESCRIPTION	DATE	APPROVED
A	INITIAL RELEASE	01/05/2012	BPUCHASKI
B	ECN 11136: REMOVE THE HYPERLINK MOLDED LOGO ON THE TOP, NEW FORMAT	05/19/2021	K.HIETPAS

D
C
B
A

D
C
B
A



NOTES:

PACKAGING:
COMPONENT SHALL BE INDIVIDUALLY PACKAGED IN ACCORDANCE WITH L-COM SPECIFICATION PKG-00085

- ALL DIMENSIONS FOR REFERENCE -

UNLESS OTHERWISE SPECIFIED, DIMENSIONS ARE IN INCHES [mm] OVERALL CABLE LENGTH TOLERANCE: ≤12 [305] = +1 [25] / -0 >12 [305] ≤60 [1524] = +2 [51] / -0 >60 [1524] ≤120 [3048] = +4 [102] / -0 >120 [3048] ≤300 [7620] = +6 [152] / -0 >300 [7620] = +5% / -0 ALL OTHER DIMENSIONAL TOLERANCES: .X = ± .2 [5] FRACTIONS ± 1/32 .XX = ± .02 [5] ± 1/32 .XXX = ± .005 [13] ANGLES ± 1°	APPROVALS DRAWN BY BPUCHASKI CHECKED BY P.PESA APPROVED BY P.PESA	DATE 01/03/2012 01/03/2012 01/03/2012	 an INFINITI® brand 50 High Street, West Mill, North Andover, MA 01845 USA. Phone: 1.800.341.5266 1.978.682.6936	
	CONFIGURATION DETAILS OF UNDIMENSIONED FEATURES MAY VARY COLOR VARIATIONS MAY OCCUR			CATEGORY ANTENNA PRODUCT DESCRIPTION 2.4GHz 8dBi OMNI ANTENNA W/N-FEMALE CONNECTOR
THIRD-ANGLE PROJECTION 	SIZE A	CAGE CODE 43321	DWG. NO. HGV-2409U	REV. B
SCALE: NONE		CAD FILE: HGV-2409U.SLDDRW		SHEET 1 OF 1