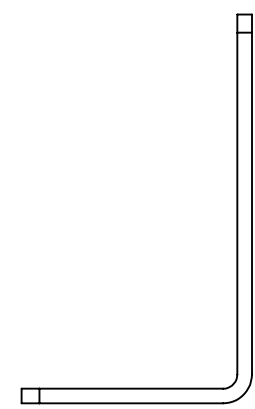
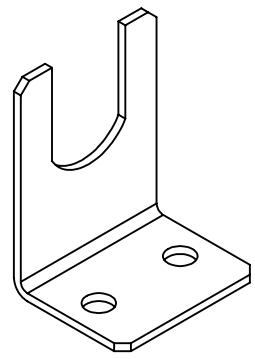
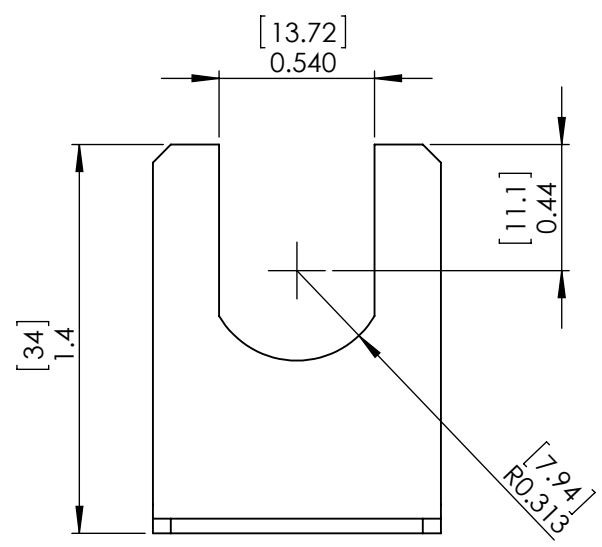
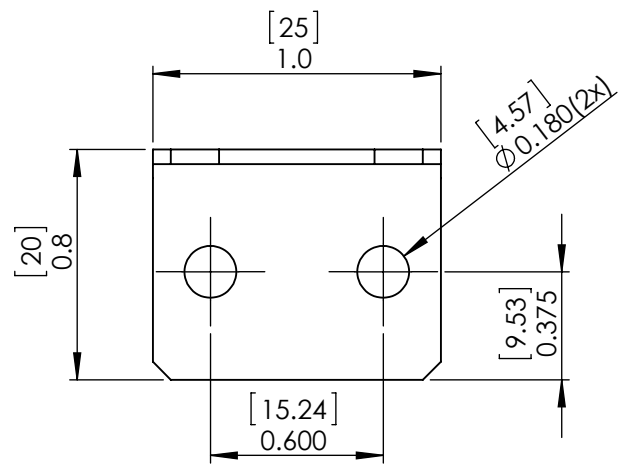
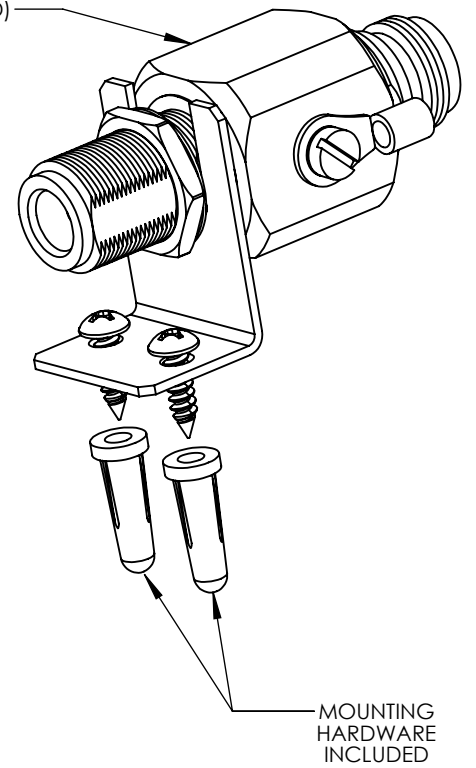


THE INFORMATION CONTAINED IN THIS DRAWING IS THE SOLE PROPERTY OF L-COM, INC. ANY REPRODUCTION IN PART OR WHOLE WITHOUT THE WRITTEN PERMISSION OF L-COM, INC. IS PROHIBITED.

REVISIONS			
REV	DESCRIPTION	DATE	APPROVED
A	INITIAL RELEASE	10/08/13	D.GRIFFIN



LIGHTNING PROTECTOR SHOWN FOR REFERENCE (NOT INCLUDED)



**NOTES:**  
 1- MATERIAL: 16GA ALUMINUM  
 2- SHALL BE PACKAGED AS PER L-COM SPEC PKG-0012

**REGULATORY COMPLIANCE:**  
 RoHS, CE

UNLESS OTHERWISE SPECIFIED, DIMENSIONS ARE IN INCHES [mm]	APPROVALS	DATE		45 BEECHWOOD DRIVE NORTH ANDOVER, MA 01845		
	DRAWN BY B.PUCHASKI	10/08/13				
DIMENSIONAL TOLERANCES: .X = ±.1 [2.54] .XX = ±.01 [.25] .XXX = ±.005 [.13]	CHECKED BY K.BURGNER	10/08/13	CATEGORY <b>LIGHTNING PROTECTOR</b>			
	APPROVED BY P.PESA	10/08/13	PRODUCT DESCRIPTION <b>COAX LIGHTNING PROTECTOR MOUNTING BRACKET</b>			
ANGULAR TOLERANCES: ALL = ± 1°	CONFIGURATION DETAILS OF UNDIMENSIONED FEATURES MAY VARY		SIZE <b>A</b>	FSCM NO. <b>43321</b>	DWG. NO. <b>HGX-LPMOUNT01</b>	REV. <b>A</b>
PROJECTION 	COLOR VARIATIONS MAY OCCUR		SCALE: NONE	CAD FILE: HGX-LPMOUNT01.SLDDRW	SHEET 1 OF 1	