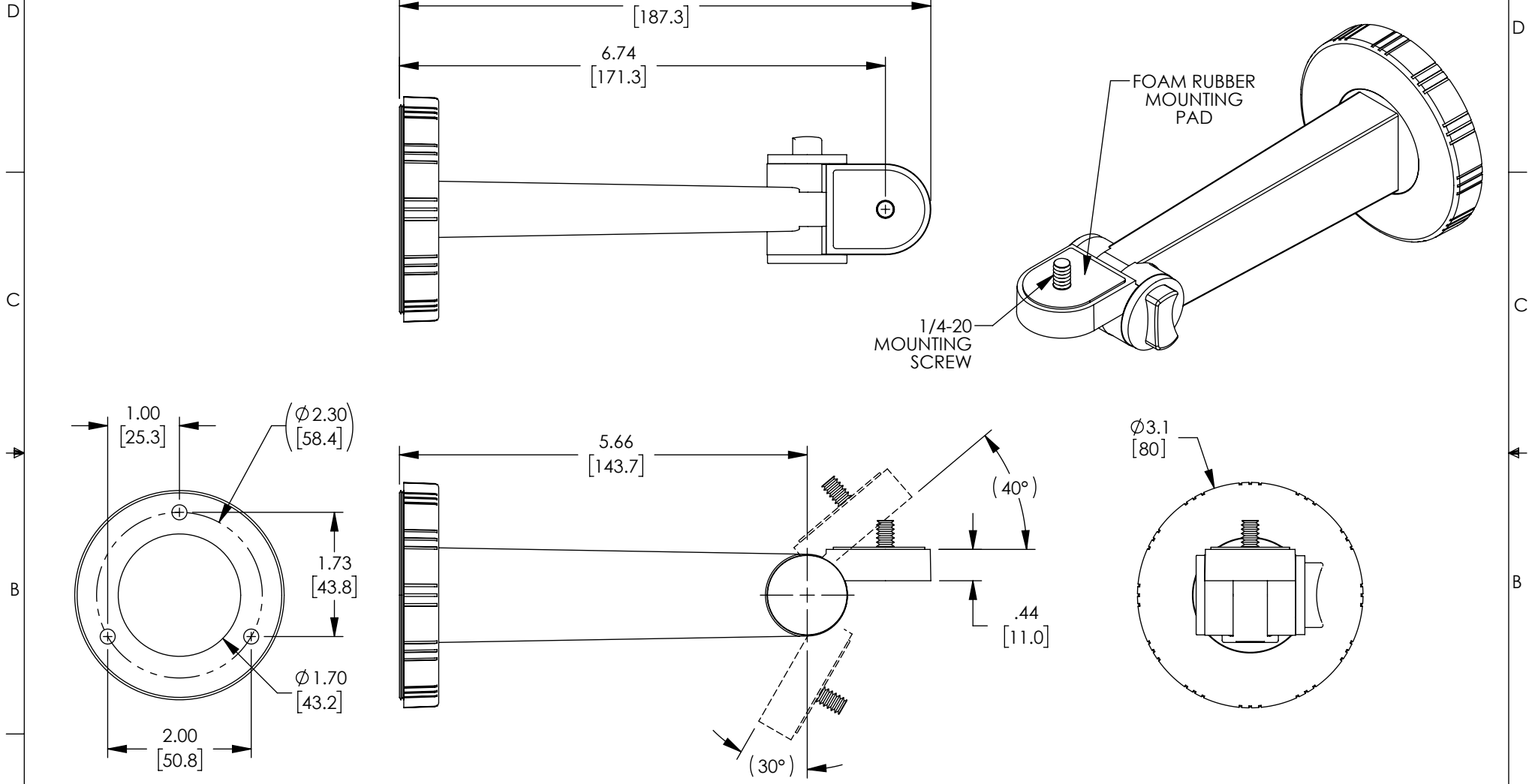


THE INFORMATION CONTAINED IN THIS DRAWING IS THE SOLE PROPERTY OF L-COM, INC. ANY REPRODUCTION IN PART OR WHOLE WITHOUT THE WRITTEN PERMISSION OF L-COM, INC. IS PROHIBITED.

REVISIONS			
REV	DESCRIPTION	DATE	APPROVED
A	INITIAL RELEASE	01/18/2012	BPUCHASKI
B	ECN 9768: RE-MODEL AND RE-DRAWN	04/03/2019	DFRISIELLO



NOTES:

ALL HARDWARE IS INCLUDED.

PACKAGING:
COMPONENT SHALL BE INDIVIDUALLY PACKAGED IN ACCORDANCE WITH L-COM SPECIFICATION PKG-00012

- ALL DIMENSIONS ARE FOR REFERENCE ONLY-

UNLESS OTHERWISE SPECIFIED, DIMENSIONS ARE IN INCHES [mm] OVERALL CABLE LENGTH TOLERANCE: ≤ 12 [305] = +1 [25] / -0 >12 [305] ≤ 60 [1524] = +2 [51] / -0 >60 [1524] ≤ 120 [3048] = +4 [102] / -0 >120 [3048] ≤ 300 [7620] = +6 [152] / -0 >300 [7620] = +5% / -0% ALL OTHER DIMENSIONAL TOLERANCES: .X = $\pm .2$ [5.08] .XX = $\pm .02$ [51] .XXX = $\pm .005$ [1.3]	APPROVALS DRAWN BY BPUCHASKI CHECKED BY P.PESA APPROVED BY P.PESA	DATE 01/17/2012 01/17/2012 01/17/2012	50 HIGH STREET NORTH ANDOVER, MA 01845		
	CONFIGURATION DETAILS OF UNDIMENSIONED FEATURES MAY VARY	CATEGORY ANTENNA		PRODUCT DESCRIPTION MNT Kit Composite Tilt/Swivel	
PROJECTION 	COLOR VARIATIONS MAY OCCUR	SIZE A	FSCM NO. 43321	DWG. NO. HGX-PMT03	REV. B
		SCALE: NONE	CAD FILE: HGX-PMT03.SLDDRW	SHEET 1 OF 1	