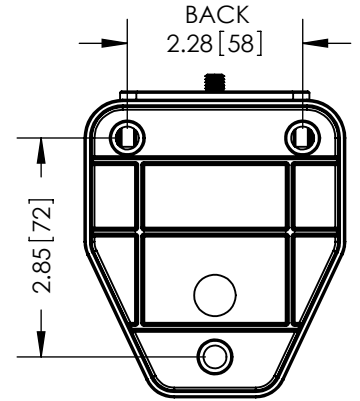
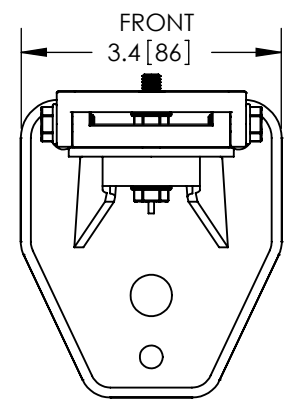
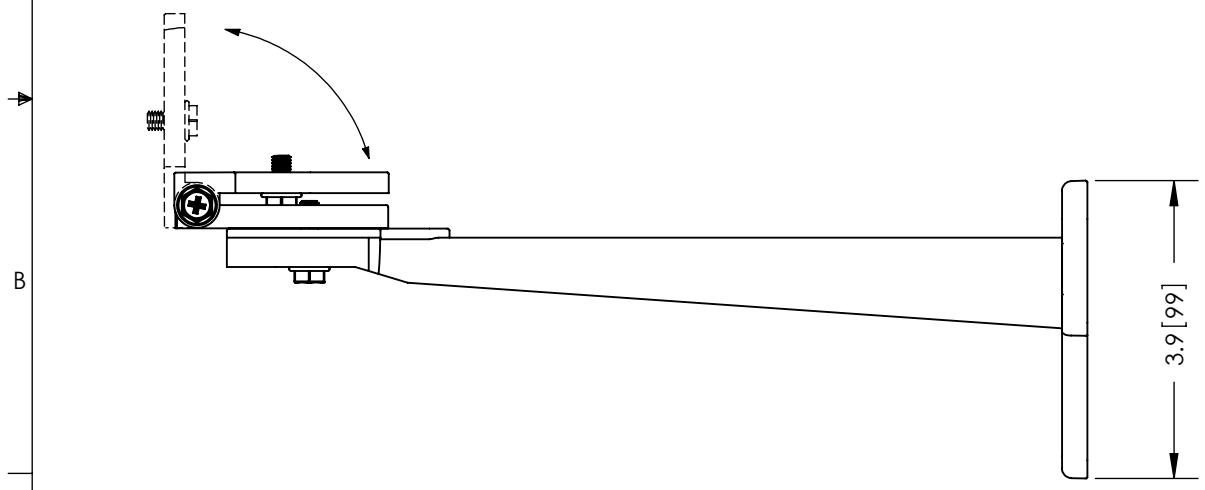
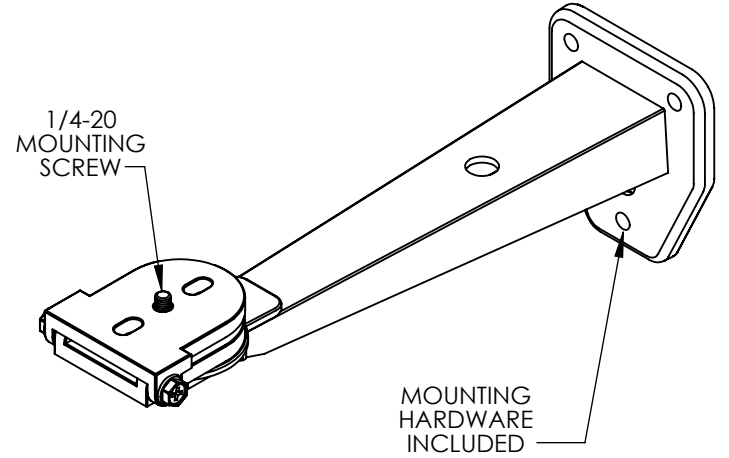
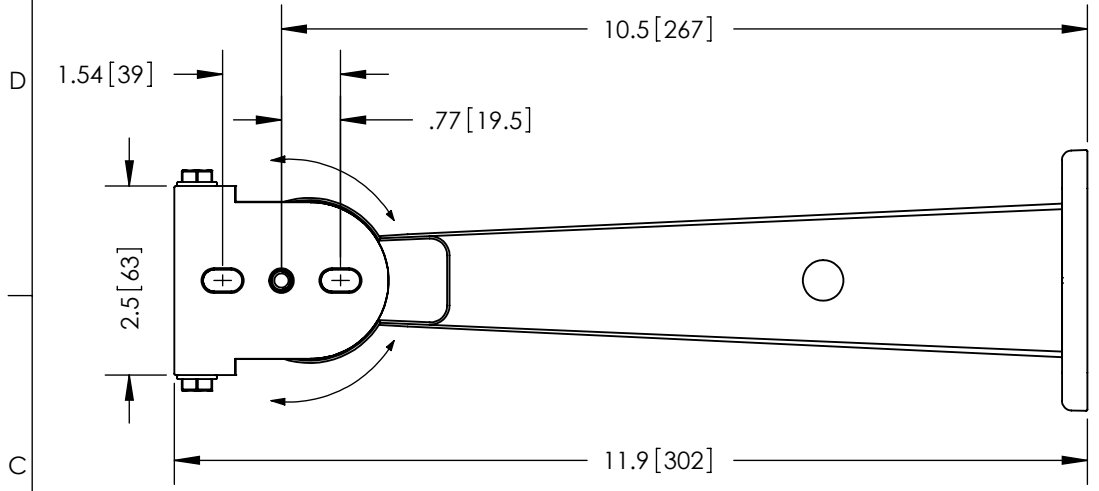


THE INFORMATION CONTAINED IN THIS DRAWING IS THE SOLE PROPERTY OF L-COM, INC. ANY REPRODUCTION IN PART OR WHOLE WITHOUT THE WRITTEN PERMISSION OF L-COM, INC. IS PROHIBITED.

REVISIONS			
REV	DESCRIPTION	DATE	APPROVED
A	INITIAL RELEASE	01/17/12	D.GRIFFIN
-	-	-	-
-	-	-	-



**RoHS Compliant** ✓

NOTES:

PACKAGING:  
COMPONENT SHALL BE INDIVIDUALLY PACKAGED IN ACCORDANCE WITH L-COM SPECIFICATION PKG-00012

- ALL DIMENSIONS FOR REFERENCE -

UNLESS OTHERWISE SPECIFIED, DIMENSIONS ARE IN INCHES [mm]  DIMENSIONAL TOLERANCES: .X = ±.1 .XX = ±.01 .XXX = ±.005  ANGULAR TOLERANCES: ALL = ± 1°  PROJECTION	APPROVALS B.PUCHASKI CHECKED BY P.PESA APPROVED BY P.PESA	DATE 01/17/12 01/17/12 01/17/12		45 BEECHWOOD DRIVE NORTH ANDOVER, MA 01845	
	CATEGORY <b>ANTENNA</b>			PRODUCT DESCRIPTION <b>LARGE METAL TILT-AND-SWIVEL MOUNTING BRACKET</b>	
	COLOR VARIATIONS MAY OCCUR	SIZE <b>A</b>	FSCM NO. <b>43321</b>	DWG. NO. <b>HGX-PMT04</b>	REV. <b>A</b>
	SCALE: NONE		CAD FILE: HGX-PMT04.SLDDRW		SHEET 1 OF 1